



MONOLITH
DESIGN AND TECHNOLOGICAL RESEARCH FOR WATER

Monolith S.r.l.
Via dell'Artigiano 8/F-8/G
31050 Monastier (Treviso)
ITALY | EU
Tel. +39 0422 842157
sales@monolithsrl.com
monolithsrl.com



MONOLITH
DESIGN AND TECHNOLOGICAL RESEARCH FOR WATER

UN
ELEGANTE
DESIGN
PER UN
PROGETTO
INNOVATIVO

—
ELEGANT
DESIGN
FOR INNOVATIVE
PROJECT

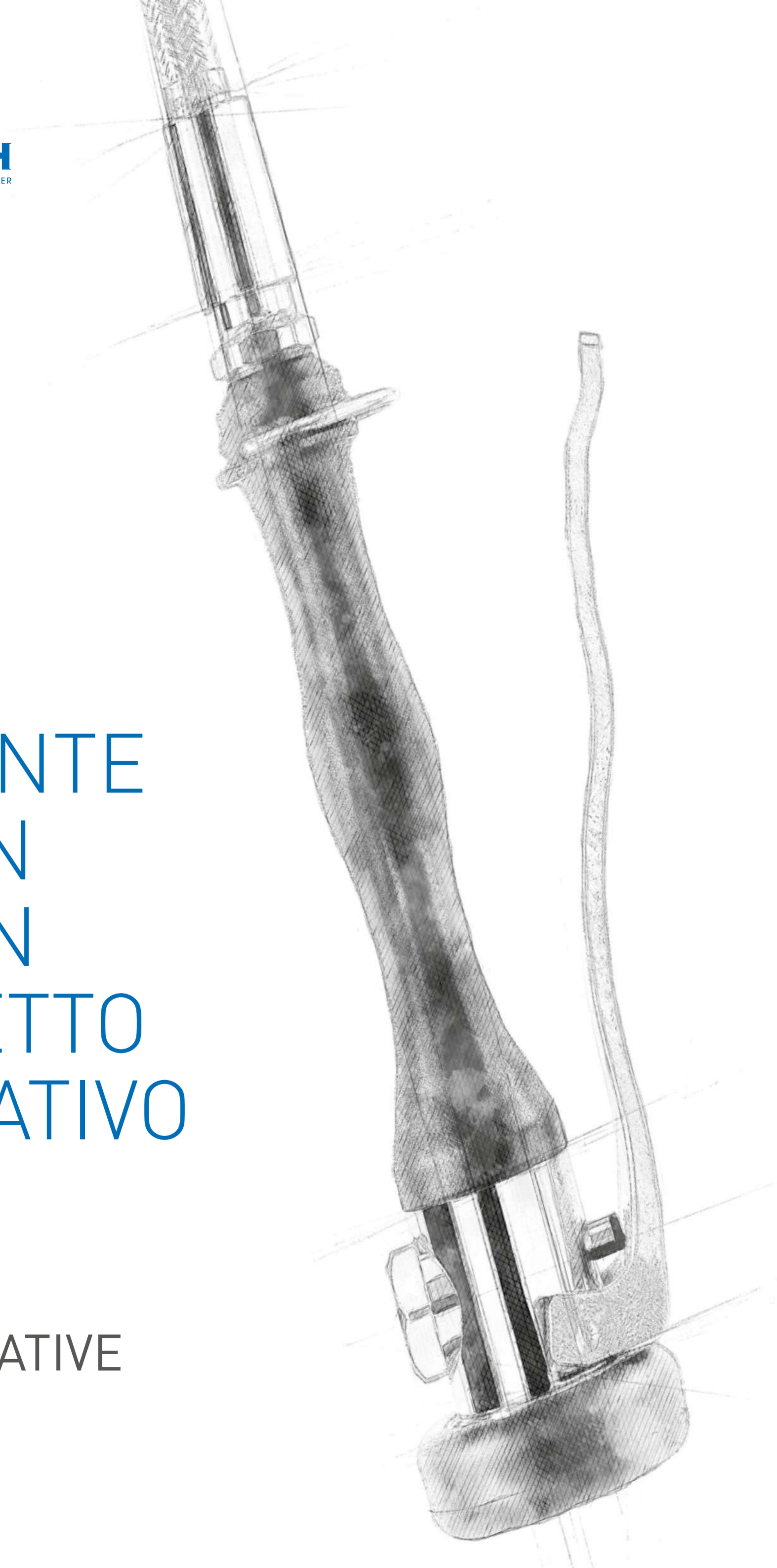
P R E M I U M

**Stile, progettazione
e produzione
100% italiana!**

100% Italian styling
Italian engineering
Italian production!

—
DISPONIBILE IN
DIVERSI MATERIALI,
PER SODDISFARE LE ESIGENZE
DEI MERCATI MONDIALI

AVAILABLE IN DIFFERENT
RAW MATERIALS
TO MEET THE WORLDWIDE
MARKETS NEEDS





LA
COMBINAZIONE
IDEALE TRA
INTERIOR
DESIGN E
TECNOLOGIA
PROFESSIONALE.

-
The perfect fusion of
interior design and
professional
technology.



PREMIUM

ELEGANZA
Elegant Style

ROBUSTEZZA
Strenght

IGIENE
Hygiene

PRATICITÀ
Practicality

ERGONOMIA
Ergonomic design



PREMIUM PER FACILE MANUTENZIONE

PREMIUM FOR EASY MAINTENANCE

PREMIUM PER CONTROLLO DI EROGAZIONE

PREMIUM FOR FLOW CONTROL

PREMIUM PER QUALITÀ DEL MATERIALE

PREMIUM FOR QUALITY OF MATERIAL

PREMIUM PER RESISTENZA AGLI URTI

PREMIUM FOR RESISTANCE

PREMIUM PER UTILIZZO A LUNGA DURATA

PREMIUM FOR LONG LIFE USE

PREMIUM PER TOLLERANZA ALLE CORROSIONI

PREMIUM FOR CORROSION RESISTANCE

**PREMIUM PER ANELLO DI BLOCCAGGIO
CON EROGAZIONE CONTINUA**

PREMIUM FOR LOCKING RING TO KEEP ON THE FLOW

PREMIUM PER RAPPORTO QUALITÀ-PREZZO

PREMIUM FOR VALUE FOR MONEY

PREMIUM PER PROOF-SCHOCK

PREMIUM FOR SHOCK-PROOF



PREMIUM

DESIGN
E RICERCA
TECNOLOGICA
PER L'ACQUA

—
Design and
technological
research
for water.



PREMIUM

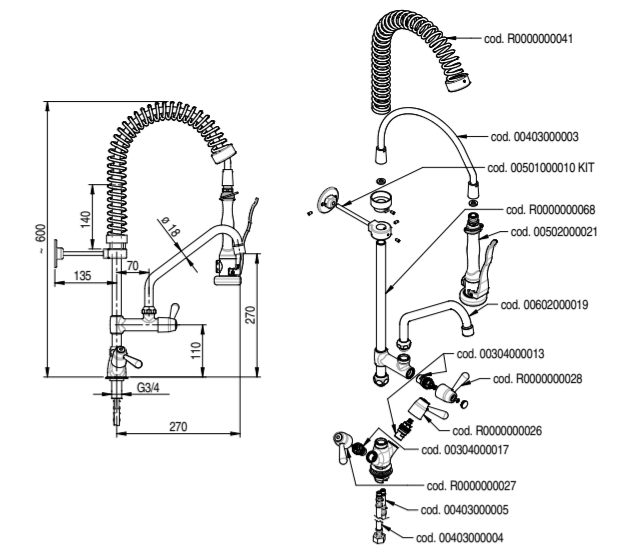
ED ORA...
NON VI RESTA
CHE SCEGLIERE
IL MODELLO
CHE SODDISFI LE
VOSTRE ESIGENZE!

and now...
you'll just have
to choose the
model that
satisfies your
needs!

PREMIUM

Cod. P0101020192

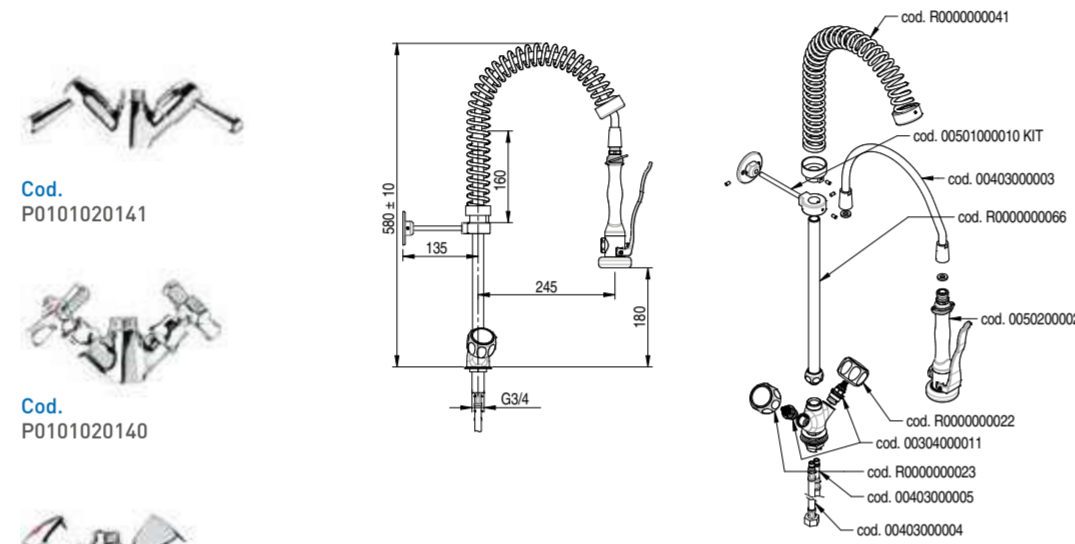
MONOFORO A LAVELLO MANIGLIA
LEVA CORTA, KIT DOCCIA MINI,
CANNA "C" A METÀ ASTA
ONE HOLE SINK TAP SHORT
LEVER HANDLES, KIT SHOWER
SMALL MODEL, "C" PIPE
IN THE MIDDLE OF METAL TUBE



Foro fissaggio / Fixing hole \varnothing 27 mm
Peso / Weight 4 kg
Portata max / Max flow rate 17 l/min a 4 bar

Cod. P0101020112

MONOFORO A LAVELLO,
KIT DOCCIA MINI
ONE HOLE SINK TAP,
KIT SHOWER SMALL MODEL



Foro fissaggio / Fixing hole \varnothing 27 mm
Peso / Weight 3,4 kg
Portata max / Max flow rate 17 l/min a 4 bar

Cod.
P0101020135 ("C" 250)
P0101020136 ("C" 300)

MONOFORO A LAVELLO,
KIT DOCCIA CANNA "C"
ONE HOLE SINK TAP "C"
PIPE WITH KIT SHOWER

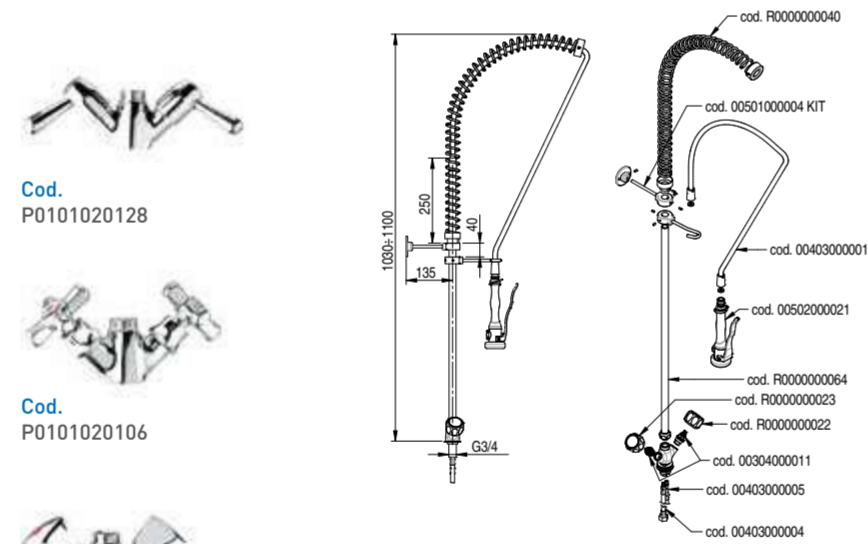


Foro fissaggio / Fixing hole \varnothing 27 mm
Peso / Weight 5,2 kg
Portata max / Max flow rate 17 l/min a 4 bar

A (mm)	B (mm)	C (mm)
250	275	345
300	310	380

Cod. P0101020126

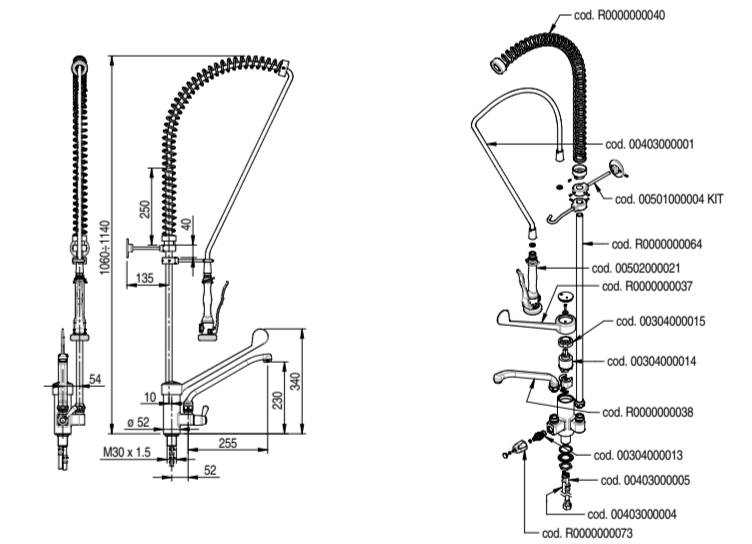
MONOFORO A LAVELLO,
KIT DOCCIA
ONE HOLE SINK TAP
WITH KIT SHOWER



Foro fissaggio / Fixing hole \varnothing 27 mm
Peso / Weight 4,1 kg
Portata max / Max flow rate 17 l/min a 4 bar

Cod. P0201020234

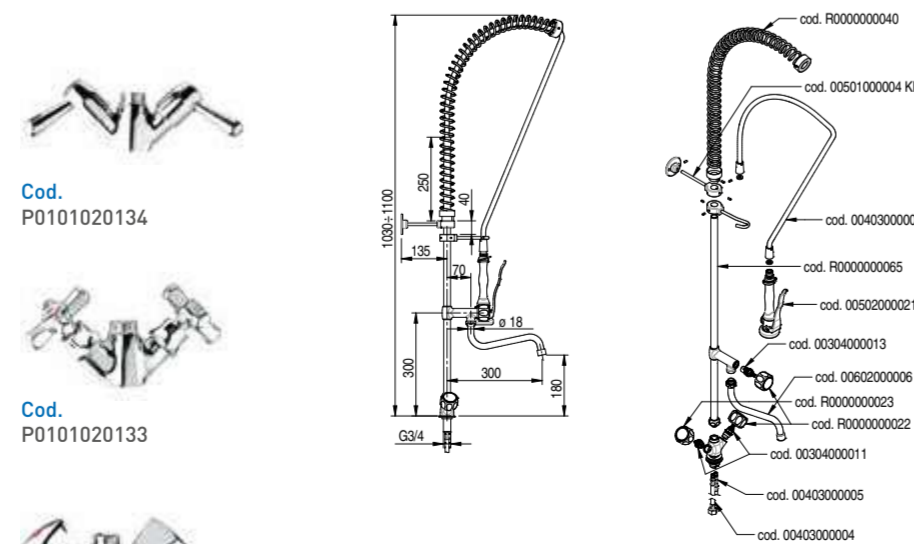
MONOFORO MISCELATORE A
LAVELLO, KIT DOCCIA E CANNA,
COMANDO A LEVA CLINICA NERA
ONE HOLE SINK MIXER TAP
WITH KIT SHOWER AND
SPOUT, BLACK CLINICAL LEVER



Foro fissaggio / Fixing hole \varnothing 30,5 mm
Peso / Weight 5,5 kg
Portata max / Max flow rate 22 l/min a 4 bar

Cod. P0101020111

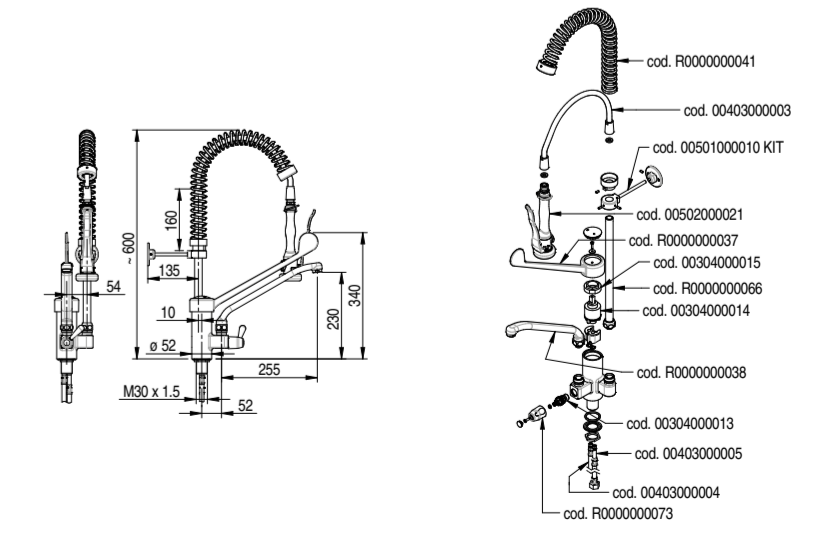
MONOFORO A LAVELLO CANNA "S"
A METÀ ASTA, KIT DOCCIA
ONE HOLE SINK TAP WITH
KIT SHOWER AND "S" PIPE IN THE
MIDDLE OF METAL TUBE



Foro fissaggio / Fixing hole \varnothing 27 mm
Peso / Weight 4,9 kg
Portata max / Max flow rate 17 l/min a 4 bar

Cod. P0201020235

MONOFORO MISCELATORE
A LAVELLO, KIT DOCCIA MINI
E CANNA, COMANDO
A LEVA CLINICA NERA
ONE HOLE SINK MIXER TAP,
KIT SHOWER SMALL MODEL
AND SPOUT, BLACK
CLINICAL LEVER



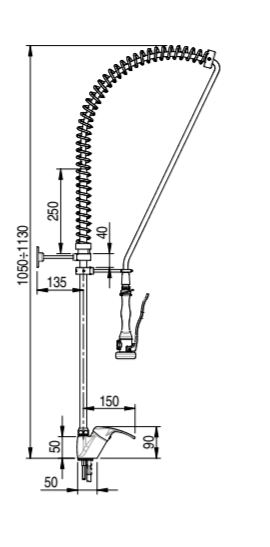
Foro fissaggio / Fixing hole \varnothing 30,5 mm
Peso / Weight 4,7 kg
Portata max / Max flow rate 22 l/min a 4 bar

Cod. **P020102020**

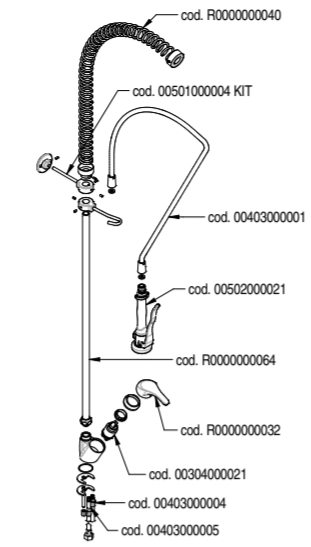
MONOFORO A LAVELLO MISCELATORE, KIT DOCCIA
ONE HOLE SINK MIXER TAP WITH KIT SHOWER



Cod.
P0201020205



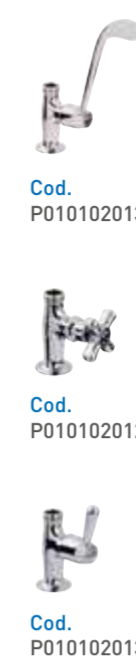
Foro fissaggio / Fixing hole
Peso / Weight
Portata max / Max flow rate



Ø 35 mm
4,1 kg
17 l/min a 4 bar

Cod. **P0101020117**

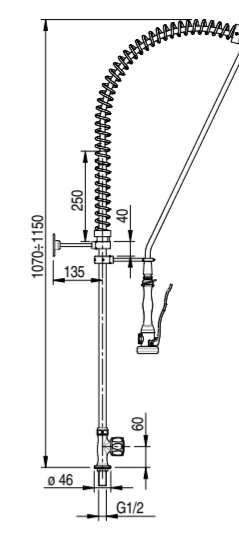
MONOFORO A LAVELLO SOLO ACQUA FREDDA, KIT DOCCIA
ONE HOLE SINK TAP ONLY COLD WATER WITH KIT SHOWER



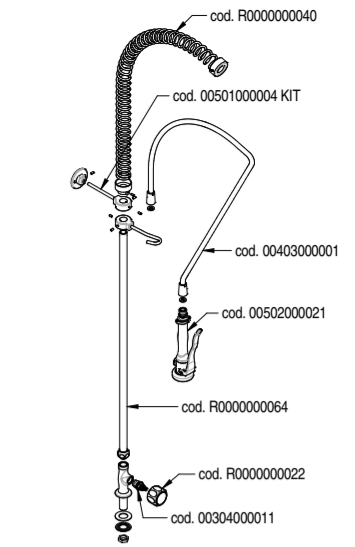
Cod.
P0101020130

Cod.
P0101020129

Cod.
P0101020131



Foro fissaggio / Fixing hole
Peso / Weight
Portata max / Max flow rate



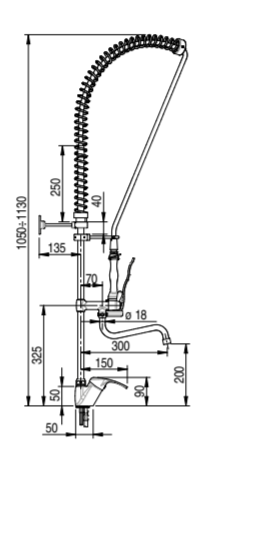
Ø 21,5 mm
3,5 kg
17 l/min a 4 bar

Cod. **P0201020220**

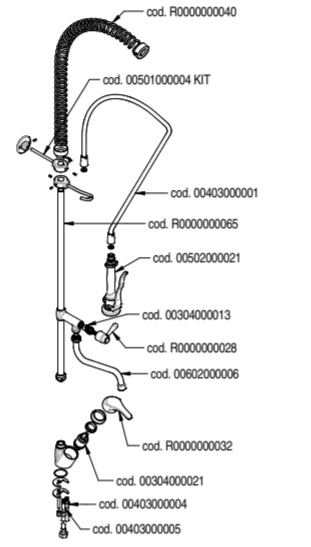
MONOFORO A LAVELLO MISCELATORE, CANNA "S" A METÀ ASTA, KIT DOCCIA
ONE HOLE SINK MIXER TAP WITH KIT SHOWER AND "S" PIPE IN THE MIDDLE OF METAL TUBE



Cod.
P0201020213



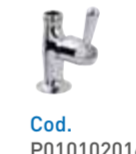
Foro fissaggio / Fixing hole
Peso / Weight
Portata max / Max flow rate



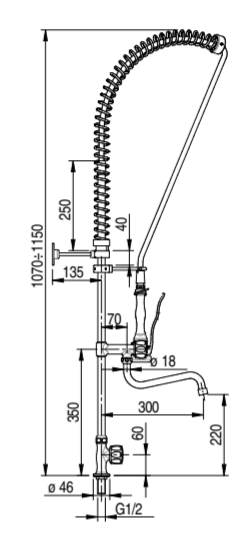
Ø 35 mm
4,7 kg
17 l/min a 4 bar

Cod. **P0101020161**

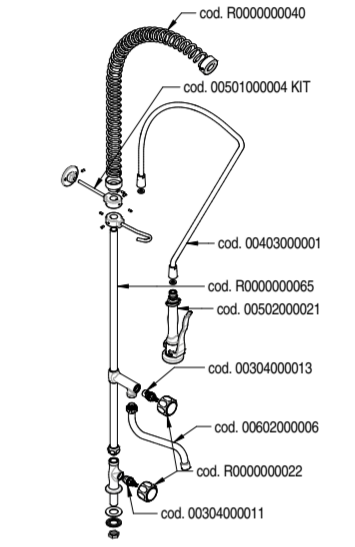
MONOFORO A LAVELLO SOLO ACQUA FREDDA, CANNA "S" A METÀ ASTA
ONE HOLE SINK TAP ONLY COLD WATER, KIT SHOWER AND "S" PIPE IN THE MIDDLE OF METAL TUBE



Cod.
P0101020160



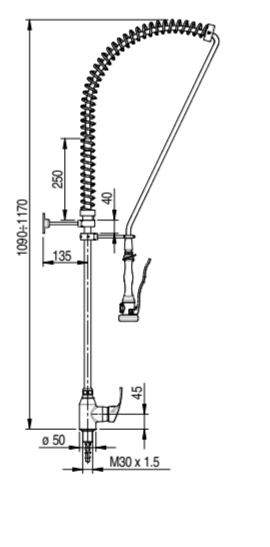
Foro fissaggio / Fixing hole
Peso / Weight
Portata max / Max flow rate



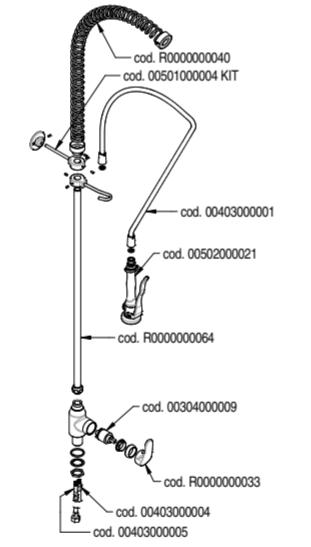
Ø 21,5 mm
4,2 kg
17 l/min a 4 bar

Cod. **P0101020144**

MONOFORO A LAVELLO MISCELATORE, KIT DOCCIA
ONE HOLE SINK MIXER TAP WITH KIT SHOWER



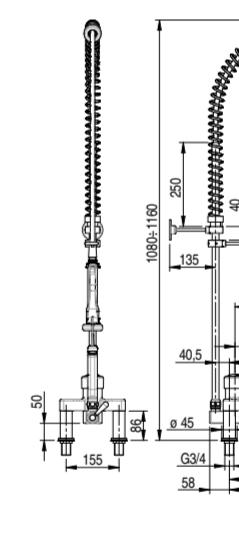
Foro fissaggio / Fixing hole
Peso / Weight
Portata max / Max flow rate



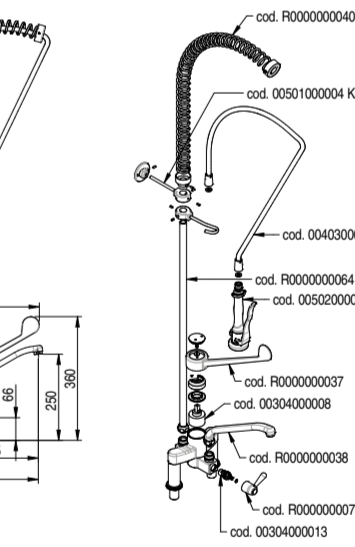
Ø 30,5 mm
5 kg
18 l/min a 4 bar

Cod. **P0102020207**

BIFORO A LAVELLO MISCELATORE, COMANDO A LEVA CLINICA NERA, KIT DOCCIA E CANNA
TWO HOLES SINK MIXER TAP WITH BLACK CLINICAL LEVER, KIT SHOWER AND SPOUT



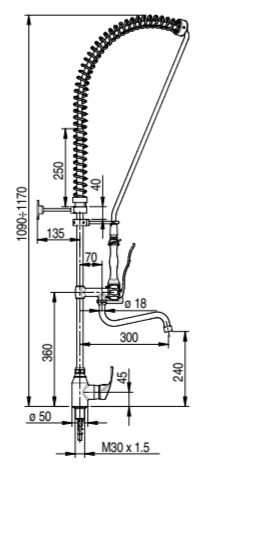
Foro fissaggio / Fixing hole
Peso / Weight
Portata max / Max flow rate



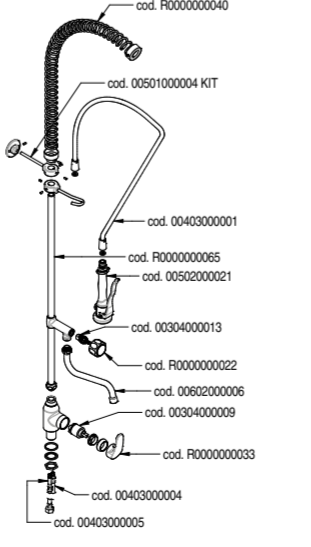
Ø 27 mm
7,7 kg
22 l/min a 4 bar

Cod. **P0101020114**

MONOFORO A LAVELLO MISCELATORE, CANNA "S" A METÀ ASTA, KIT DOCCIA
ONE HOLE SINK MIXER TAP WITH KIT SHOWER AND "S" PIPE IN THE MIDDLE OF METAL TUBE



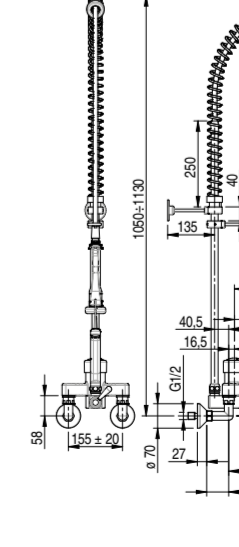
Foro fissaggio / Fixing hole
Peso / Weight
Portata max / Max flow rate



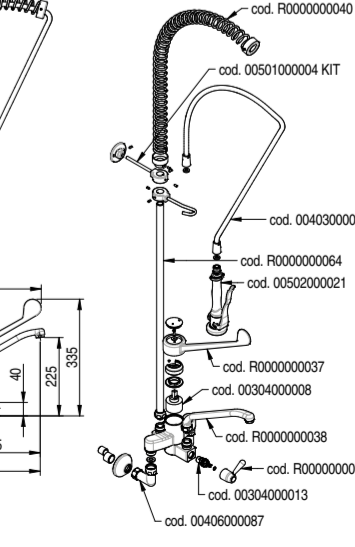
Ø 30,5 mm
5,6 kg
18 l/min a 4 bar

Cod. **P0102020210**

BIFORO MISCELATORE A MURO, COMANDO A LEVA CLINICA NERA, KIT DOCCIA E CANNA
TWO HOLES MIXER TAP WALL MOUNTED WITH BLACK CLINICAL LEVER, KIT SHOWER AND SPOUT



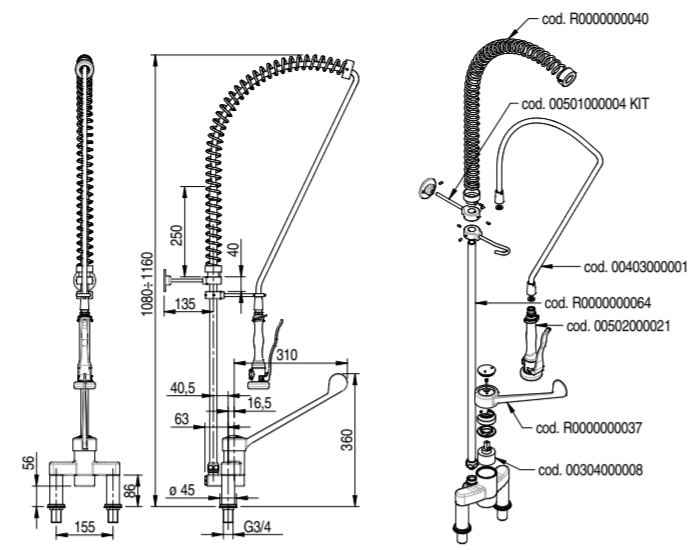
Peso / Weight
Portata max / Max flow rate



7,3 kg
22 l/min a 4 bar

Cod. **P0102020208**

BIFORO A LAVELLO MISCELATORE, COMANDO A LEVA CLINICA NERA, KIT DOCCIA
TWO HOLES SINK MIXER TAP WITH BLACK CLINICAL LEVER, KIT SHOWER



Foro fissaggio / Fixing hole ø 27 mm
Peso / Weight 6,6 kg
Portata max / Max flow rate 22 l/min a 4 bar

Cod. **P0102010207**

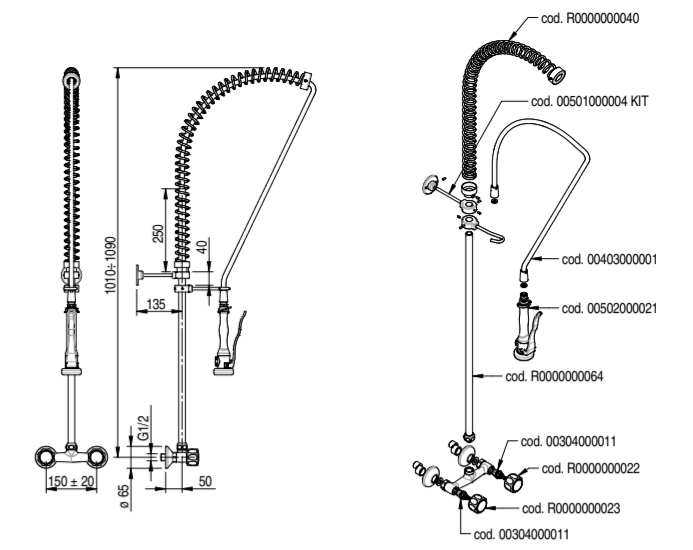
BIFORO A MURO CON MANIGLIE, KIT DOCCIA
TWO HOLES WALL TAP WITH HANDLES, KIT SHOWER



Cod. P0102010214



Cod. P0102010215



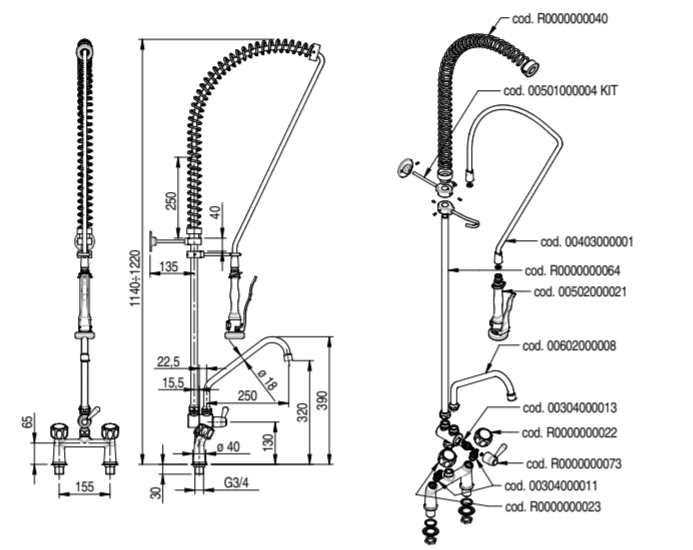
Peso / Weight 4 kg
Portata max / Max flow rate 22 l/min a 4 bar

Cod. **P0102020132**

BIFORO A LAVELLO CON MANIGLIE, KIT DOCCIA E CANNA "C"
TWO HOLES SINK TAP WITH HANDLES, "C" PIPE WITH KIT SHOWER



Cod. P0102020131



Foro fissaggio / Fixing hole ø 27 mm
Peso / Weight 5,3 kg
Portata max / Max flow rate 22 l/min a 4 bar

Cod. **P0102010206**

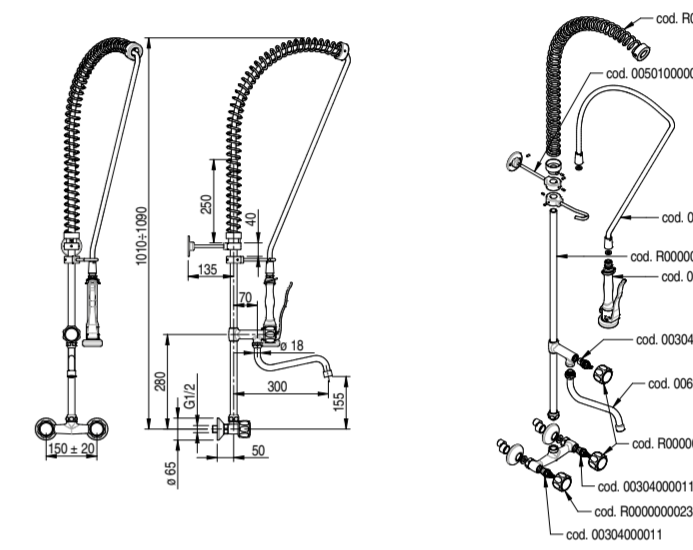
BIFORO A MURO CON MANIGLIE, CANNA "S" A METÀ ASTA, KIT DOCCIA
TWO HOLES WALL TAP WITH HANDLES, KIT SHOWER AND "S" PIPE IN THE MIDDLE OF METAL TUBE



Cod. P0102010216



Cod. P0102010217



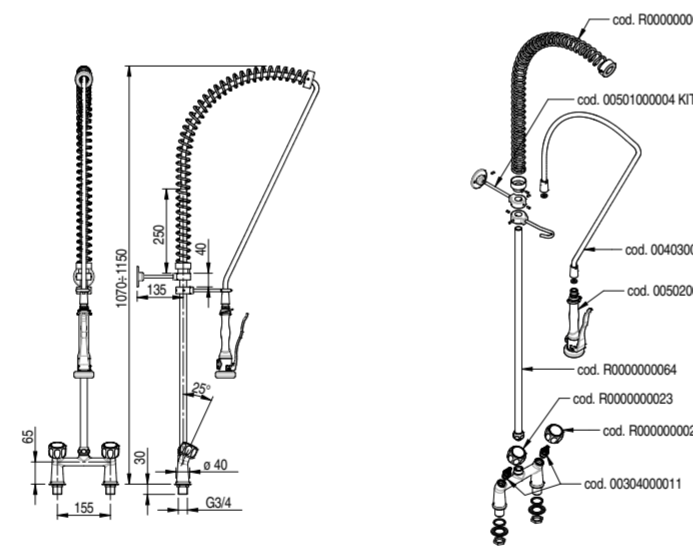
Peso / Weight 4,6 kg
Portata max / Max flow rate 22 l/min a 4 bar

Cod. **P0102020127**

BIFORO A LAVELLO CON MANIGLIE, KIT DOCCIA
TWO HOLES SINK TAP WITH HANDLES, KIT SHOWER



Cod. P0102020128



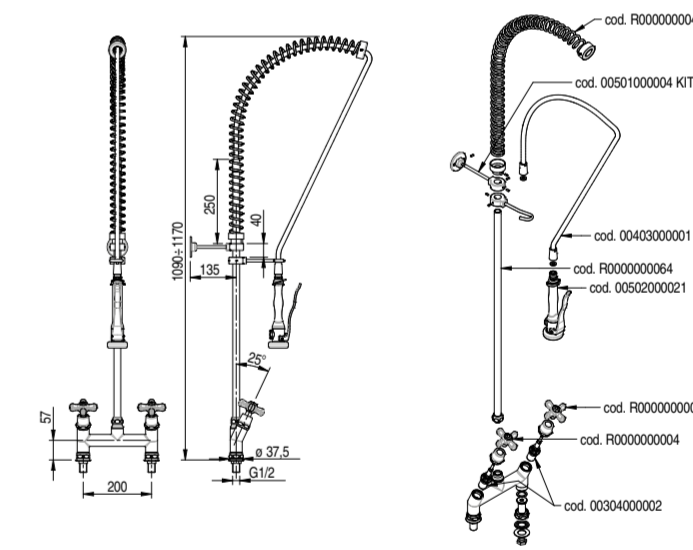
Foro fissaggio / Fixing hole ø 27 mm
Peso / Weight 4,2 kg
Portata max / Max flow rate 22 l/min a 4 bar

Cod. **P0102020105**

BIFORO A LAVELLO CON MANIGLIE, KIT DOCCIA
TWO HOLES SINK TAP WITH HANDLES, KIT SHOWER



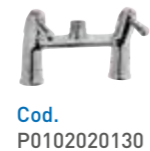
Cod. P0102020205



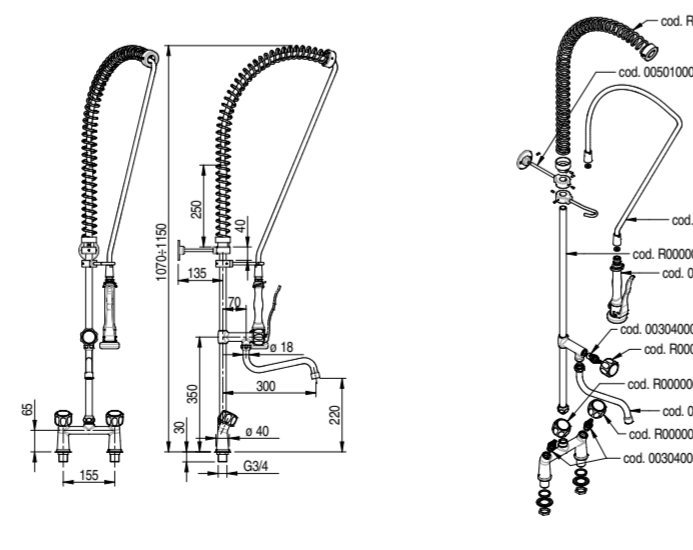
Foro fissaggio / Fixing hole ø 21,5 mm
Peso / Weight 5,9 kg
Portata max / Max flow rate 24 l/min a 4 bar

Cod. **P0102020129**

BIFORO A LAVELLO CON MANIGLIE, CANNA "S" A METÀ ASTA, KIT DOCCIA
TWO HOLES SINK TAP WITH HANDLES, KIT SHOWER AND "S" PIPE IN THE MIDDLE OF METAL TUBE



Cod. P0102020130



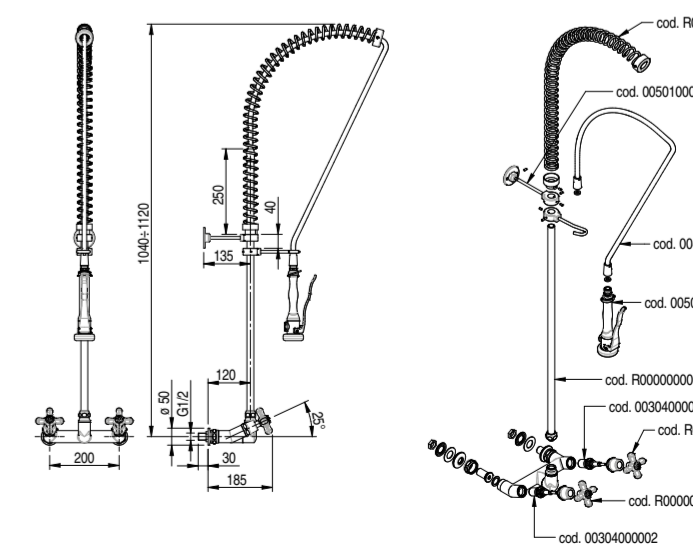
Foro fissaggio / Fixing hole ø 27 mm
Peso / Weight 4,8 kg
Portata max / Max flow rate 22 l/min a 4 bar

Cod. **P0102010103**

BIFORO A MURO CON MANIGLIE, KIT DOCCIA
TWO HOLES WALL TAP WITH HANDLES, KIT SHOWER



Cod. P0102010203



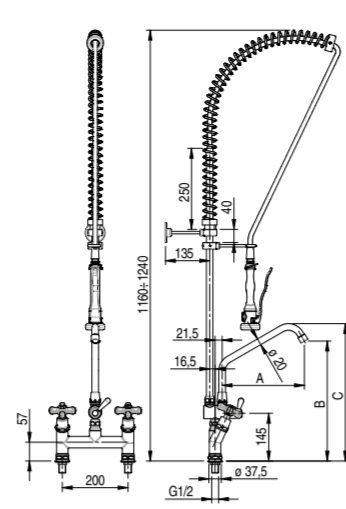
Peso / Weight 6,3 kg
Portata max / Max flow rate 24 l/min a 4 bar

Cod.
P0102020103 ("C" 250)
P0102020104 ("C" 300)

BIFORO A LAVELLO CON MANIGLIE, KIT DOCCIA, CANNA "C"
 TWO HOLES SINK TAP WITH HANDLES, "C" PIPE WITH KIT SHOWER

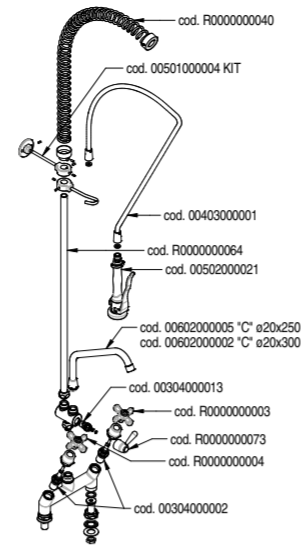


Cod. P0102020203 ("C" 250)
 P0102020204 ("C" 300)



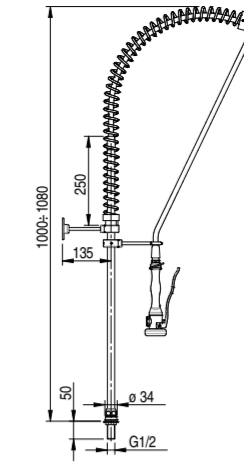
Foro fissaggio / Fixing hole ø 21,5 mm
Peso / Weight 7,1 kg
Portata max / Max flow rate 24 l/min a 4 bar

A (mm)	B (mm)	C (mm)
250	365	420
300	400	450

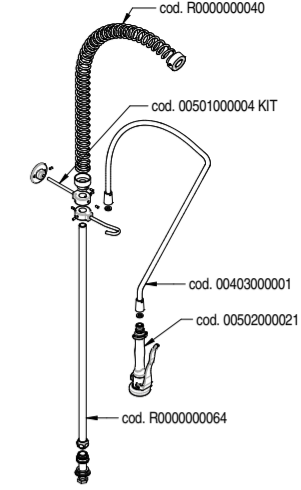


Cod. **P000000010**

KIT DOCCIA COMPLETO DI BASETTA
 KIT SHOWER WITH SPRING, FLEXIBLE HOSE, BODY SINK TAP



Foro fissaggio / Fixing hole ø 21,5 mm
Peso / Weight 3,2 kg
Portata max / Max flow rate 17 l/min a 4 bar

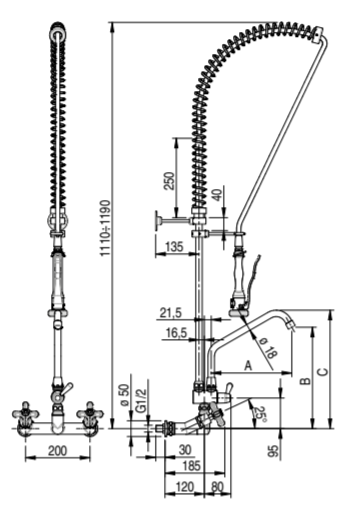


Cod.
P0102010104 ("C" 250)
P0102010105 ("C" 300)

BIFORO A MURO CON MANIGLIE, KIT DOCCIA, CANNA "C"
 TWO HOLES WALL TAP WITH HANDLES, "C" PIPE WITH KIT SHOWER

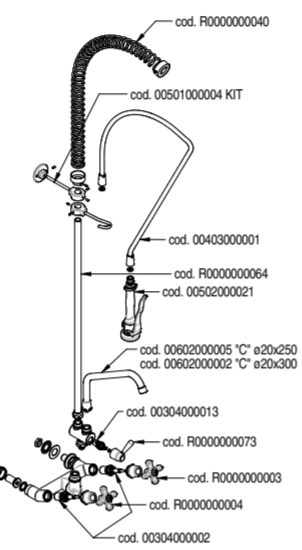


Cod. P0102010204 ("C" 250)
 P0102010205 ("C" 300)



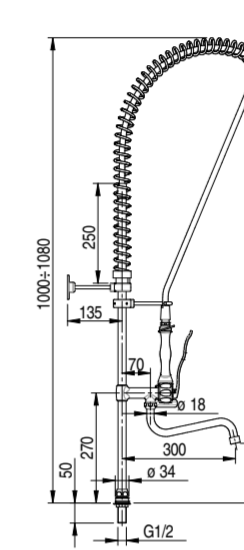
Peso / Weight 7,5 kg
Portata max / Max flow rate 24 l/min a 4 bar

A (mm)	B (mm)	C (mm)
250	315	370
300	350	400

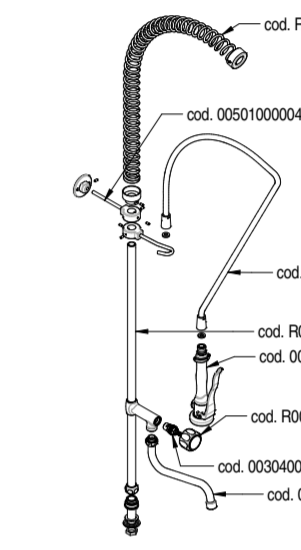


Cod. **P000000011**

KIT DOCCIA, CANNA "S" A METÀ ASTA, COMPLETO DI BASETTA
 KIT SHOWER WITH "S" PIPE IN THE MIDDLE OF METAL TUBE, BODY SINK TAP

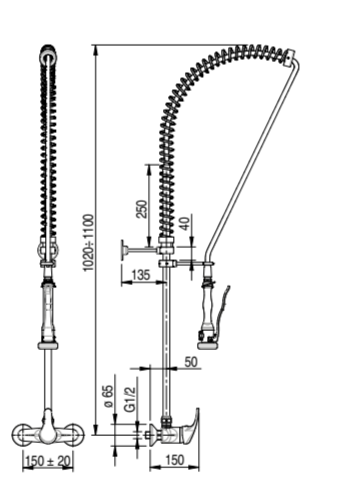


Foro fissaggio / Fixing hole ø 21,5 mm
Peso / Weight 3,8 kg
Portata max / Max flow rate 17 l/min a 4 bar

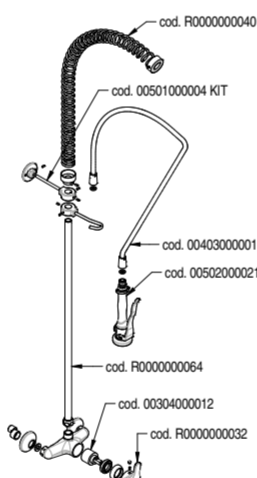


Cod. **P0102010301**

BIFORO MISCELATORE A MURO, KIT DOCCIA
 TWO HOLES MIXER TAP WALL MOUNTED, KIT SHOWER

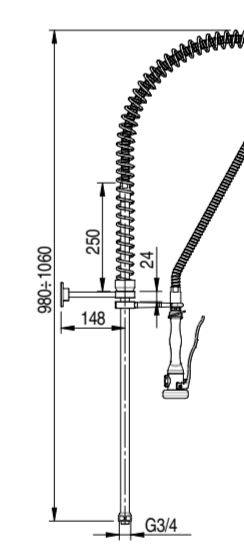


Peso / Weight 4 kg
Portata max / Max flow rate 22 l/min a 4 bar

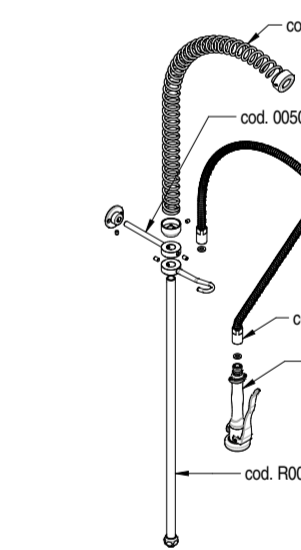


Cod. **P000000048**

KIT DOCCIA LINEA PLUS
 KIT SHOWER PLUS LINE

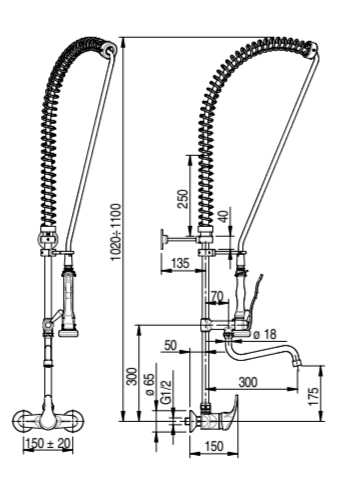


Peso / Weight 3,8 kg
Portata max / Max flow rate 17 l/min a 4 bar

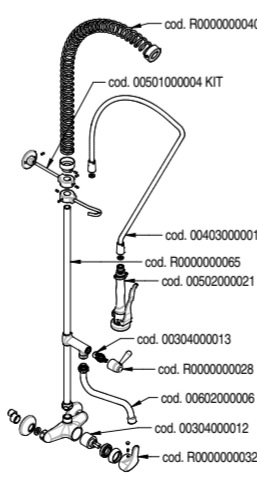


Cod. **P0102010302**

BIFORO MISCELATORE A MURO, CANNA "S" A METÀ ASTA, KIT DOCCIA
 TWO HOLES MIXER TAP WALL MOUNTED WITH "S" PIPE IN THE MIDDLE OF METAL TUBE, KIT SHOWER

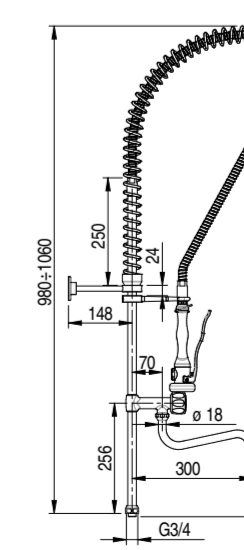


Peso / Weight 4,6 kg
Portata max / Max flow rate 22 l/min a 4 bar



Cod. **P000000049**

KIT DOCCIA, CANNA "S" A METÀ ASTA LINEA PLUS
 KIT SHOWER WITH "S" PIPE IN THE MIDDLE OF METAL TUBE, PLUS LINE



Peso / Weight 4,4 kg
Portata max / Max flow rate 17 l/min a 4 bar

