

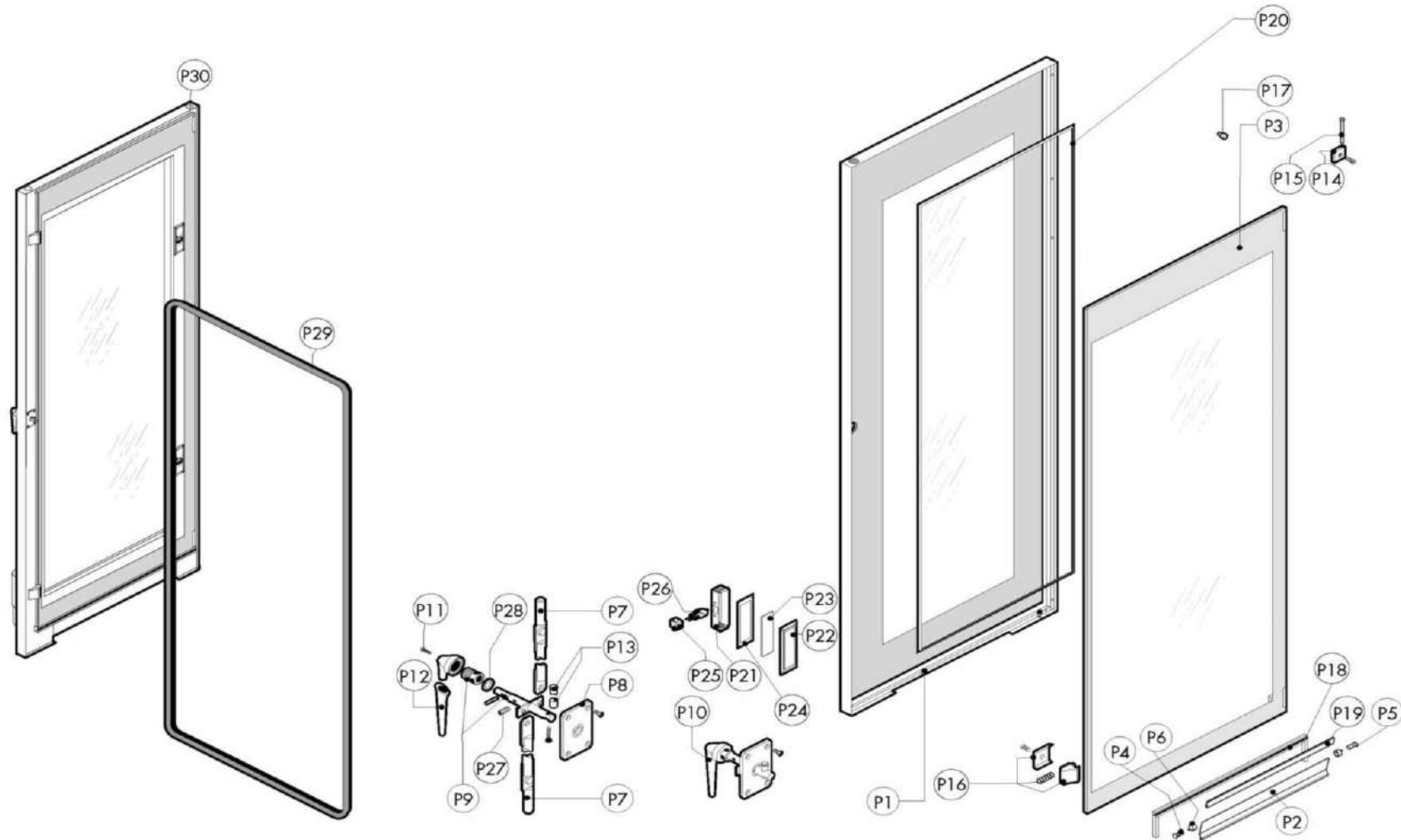
Warning! The exploded views refer to the general model

**TAV.A ed.0216**

Pos.	Code	Previous code	Description	Notes	From:	To:	Price ( )
0002	LA70010370	LAR70010370	GASKET [C]				
0003	LAR11205390		LOWER HINGE KIT [C] M-V/201-202				
0004	LAR10201710		FILTER [C] D.86/44.5 M/210-12				
0005	LA62070023	LAR62070023	BICONE [C] D. 6				
0006	LA11426830	LAR11426830	UPPER HINGE [C] DOOR SR.2013				
0007	LAR58002540		KEY [C] FOR PIN DOOR M-V/120-22				
0008	LAR65260752		CONTACT [C] LIGHTS SR.2014				
0009	LA65240020	LAR65240020	LOCK NUT [C] PG 116/16/NY				
0010	LA58003850	LAR58003850	COUNTER FLANGE [C] LARGE				
0011	LA62280038	LAR62280038	CURVE [C] D.50 D.50X				
0012	LAR58006900		DADO INOX 11/2				
0013	LA58004050	LAR58004050	NUT [C] FOR HINGE PIN M/106-220				
0014	LA62060223	LAR62060223	NUT [C] D. 6				
0015	LAR65110280		SOLENOID VALVE [C] 220V 50HZ 3 WAYS				
0016	LA61630011	LAR61630011	ZINC CLAMP [C] 12-22/9				
0017	LAR61630031		ZINC CLAMP [C] 40-60/9				
0018	LAR65280490		FERRITE [C] FT36				
0019	LA65280480	LAR65280480	FERRITE [C] FT25				
0020	LA65280240	LAR65280240	FILTER [C]				
0021	LA58003840	LAR58003840	FLANGE [C]				
0022	LA62180182	LAR62180182	INOX FLEXIBLE PIPE [C] L. 10-20CM				
0023	LAR58000400		GHIERA INOX 11/2X10 SEDE O-RING				
0024	LA70020050	LAR70020050	GASKET [C]				
0025	LA70010030	LAR70010030	GASKET [C] 6,07X1,78				
0026	LAR70010180		GUARNIZIONE OR 52x3 VITON 70SH				
0027	LA70010210	LAR70010210	GASKET [C] 18,72X2,62				
0028	LA70050140	LAR70050140	GASKET [C] BOILER CAP				
0029	LA70050150	LAR70050150	GASKET [C] BOILER CAP				
0030	LA70030180		GASKET [C] 80X50,3X3				
0031	LA65450210		INDUCTOR [C] 27 mH 8A				
0032	LAR65140090		INVERTER [C] 0,8KW	UL Version (USA-CAN)			
0032	LAR65140890		INVERTER [C] 0,8KW				
0033	LAR62090713		MANICOTTO FF 3/4-1/2 OT				
0034	LAR70060080		COUPLING [C] D. 13X18X80				
0035	LA70060040	LAR70060040	COUPLING [C] D. INT 51 D. EXT 59				
0036	LA14425200	LAR14425200	HANDLE [C] TROLLEY KS/T21				

Pos.	Code	Previous code	Description	Notes	From:	To:	Price ( )
0037	LAR75300020		PLATE [C] FAN D.120				
0038	LA75300070	LAR75300070	PLATE [C] FAN D.350 N/S101 2014				
0039	LAR65265100		MICROSWITCH [C]				
0040	LA61620091	LAR61620091	SPRING [C] D.14/6,4X0,8 C70				
0041	LA65220280	LAR65220280	TERMINAL BOARD [C]				
0042	LAR65040530		MOTOR [C] 200/440V 0,55KW F3 4P				
0043	LA63060160	LAR63060160	IGNITION PANEL [C] Ts=5 Tps=1				
0044	LA58002550	LAR58002550	SLIDING BLOCK [C] M-V/120-220				
0045	LA58003140	LAR58003140	PIN [C]				
0046	LAR58003110		PIN [C]				
0047	LA58002150	LAR58002150	PIN [C]				
0048	LA65210020	LAR65210020	FUSE CARRIER [C] 5X20				
0049	LA65210050	LAR65210050	FUSE CARRIER [C] 6,3X32				
0050	LAR65240010		FAIRLEAD [C] PG 107 Z/1				
0050	SIR0101302		PRESSACAVO	UL Version (USA-CAN)			
0051	LA58002560	LAR58002560	CATCH [C] DOOR M-V/120- 220				
0052	LA63070010	LAR63070010	PRESSURE SWITCH [C]				
0053	LAR65095000	LAR65090220	MOTOR [C] VENTING				
0054	LA62090928	LAR62090928	CONNECTOR [C]				
0055	LA62090478	LAR62090478	CONNECTOR [C] D.10				
0056	LA62090458	LAR62090458	CONNECTOR [C] D.10				
0057	LA62090633	LAR62090633	CONNECTOR [C] 10/10				
0058	LA65110510	LAR65110510	REGULATOR [C] RED ALPHATECH. 15LT/ H				
0059	LA62090723	LAR62090723	REDUCTION [C]				
0060	LA58004010	LAR58004010	WASHER [C] D. 30/12,5				
0061	LA58002570	LAR58002570	WASHER [C] 15X3				
0062	LA69090360	LAR69090360	CASTOR [C] D. 100				
0063	LA69090350	LAR69090350	CASTOR [C] D. 100				
0064	LAR69180120		BOX [C]				
0065	LAR65320220		PROBE [C] K 6X80 1,5ML				
0066	LAR58005700		TAPPO SCARICO CAMERA				
0067	LAR69150110		CAP [C]				
0068	LA69150100	LAR69150100	CAP [C]				
0069	LAR58006690		CAP [C] SERIE 2014				
0070	LA65140900		SWITCH [C]				
0071	LA65070350	LAR65070350	THERMOSTAT [C] 360Â°C				

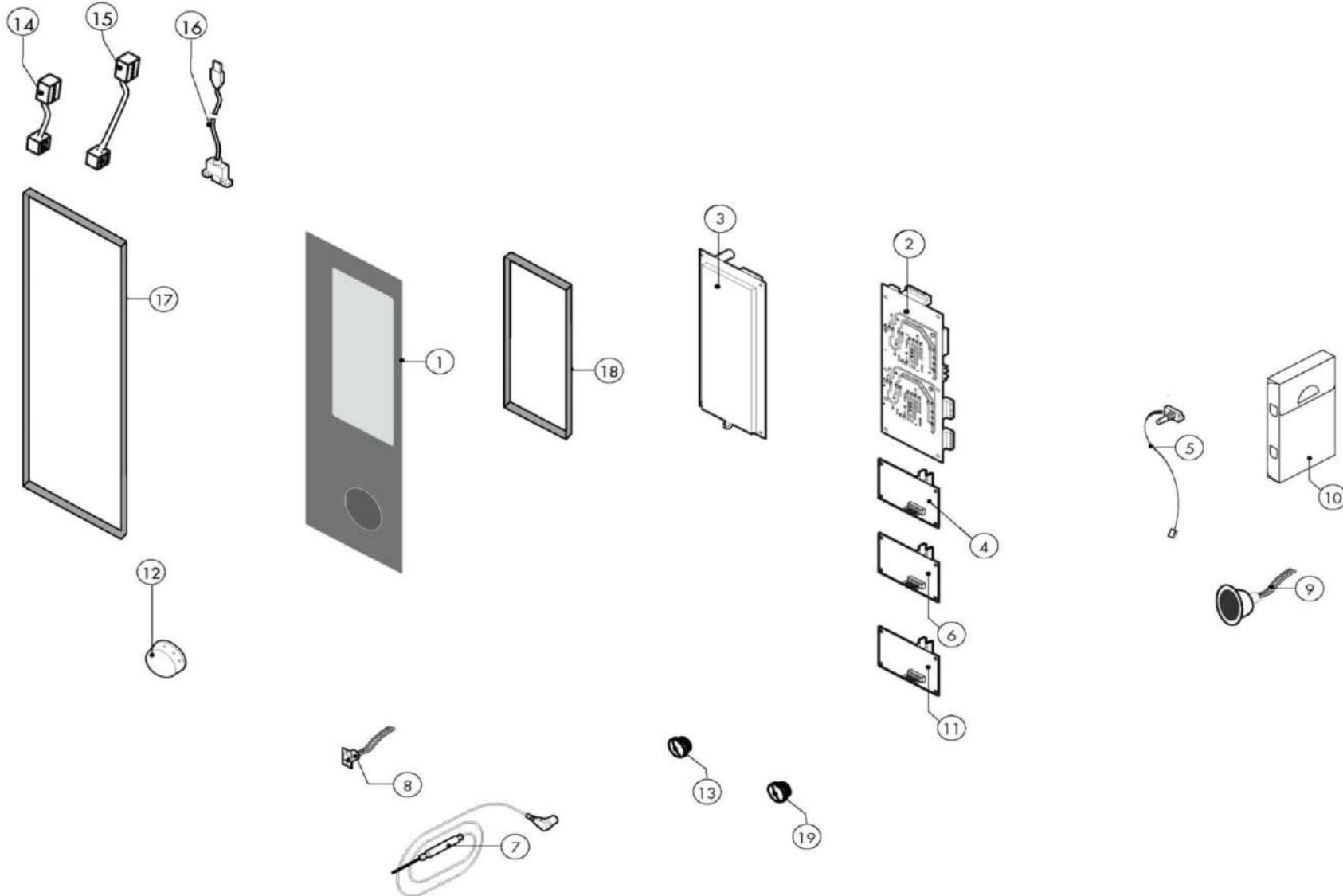
Pos.	Code	Previous code	Description	Notes	From:	To:	Price ( )
0071	LA65070370	LAR65070370	THERMOSTAT [C] 360Â°C	UL Version (USA-CAN)			
0072	LA65070380	LAR65070380	THERMOSTAT [C] 150Â°C	UL Version (USA-CAN)			
0072	LAR65070081		THERMOSTAT [C] BOILER				
0073	LA65180430	LAR65180430	TRANSFORMER [C] 40VA				
0073	LA65187110	LAR65187110	TRANSFORMER [C] 40VA	UL Version (USA-CAN)			
0075	LA80150060	LAR80150060	PIPE [C]				
0076	LA80120060	LAR80120060	PIPE [C]				
0077	LA80120030	LAR80120030	PIPE [C]				
0078	LA58006160	LAR58006160	NOZZLE [C] D. 0,80				
0079	LAR65110571		VALVE [C] 230V				
0080	LA65060050	LAR65060050	FAN [R] D. 120				
0081	LA75400440	LAR75400440	FAN [C] D. 350X114 50HZ				
0082	LA58004000	LAR58004000	SCREW [C] M12X1.5				
0083	LA61020562	LAR61020562	SCREW [C] M6X55 UNI 5737				
0084	LAR61260152		VITE				



Warning! The exploded views refer to the general model

**TAV.B ed.0216**

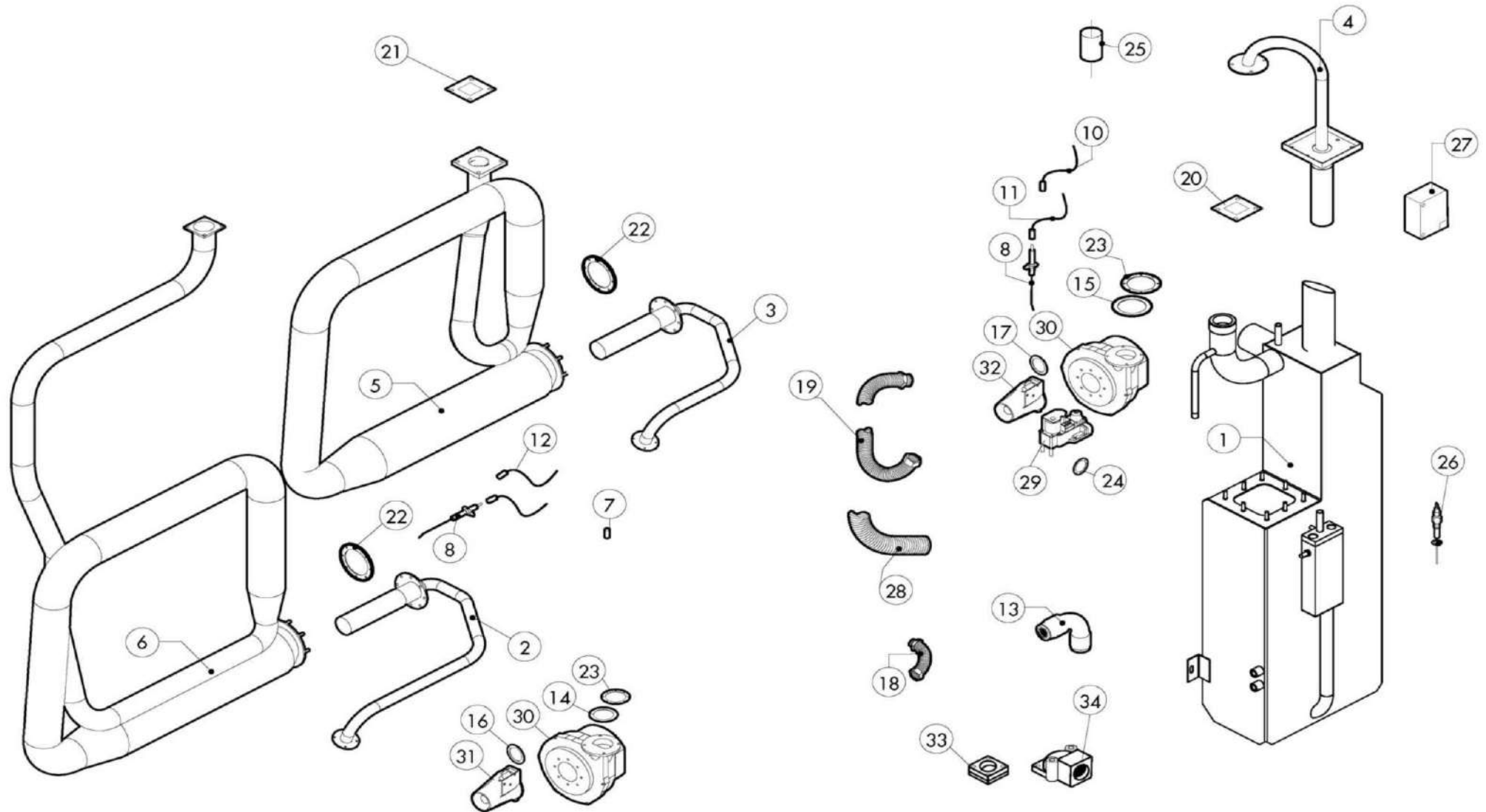
Pos.	Code	Previous code	Description	Notes	From:	To:	Price ( )
00P1	LAR14201110		DOOR [C] NA/SA_201				
00P2	LAR14441630		CLOSING PLATE [C] T21 2011				
00P3	LAR71202050		GLASS PLATE [C] T21 2011 (1396x511x6)				
00P4	LAR58006861		CLOSING PLATE ROTATION PIVOT [C]				
00P5	LA58006910	LAR58006910	CLOSING PLATE ROTATION PIVOT [C]				
00P6	LAR65491250		SPRING [C]				
00P7	LA11207670	LAR11207670	ROD [C] K_201-202				
00P8	LA03200970	LAR03200970	FLANGE [C]				
00P9	LAR11205340		PIN [C] HANDLE M-V/201-202				
0P10	LAR11100312		LOCK [C]				
0P11	LA69010820	LAR69010820	HANDLE [C] GREY				
0P12	LAR69010710		TAPPO MAN. GRIGIA GR.6303 C/ANELLO CROM.				
0P13	LAR58004781		HOOK [C]				
0P14	LA58001760	LAR58001760	HINGE [C] GLASS SR2000				
0P15	LA58001770	LAR58001770	PIN [C]				
0P16	LAR58001780		CATCH [C] DOOR P2000				
0P17	LAR70050180		SPACER [C] GLASS 15x8 M4x12 A2				
0P18	LAR70044371		GASKET [C] N/S_201+G_T21 2012				
0P19	LA80100910	LAR80100910	PROFILE [C]				
0P20	LAR80100100		PROFILE [C]				
0P21	LA11401440	LAR11401440	LAMP COVER [C]				
0P22	LA11401450	LAR11401450	FLANGE [C]				
0P23	LA71500150	LAR71500150	GLASS PLATE [C] P2000				
0P24	LA70044200	LAR70044200	GASKET [C]				
0P25	LA65270450	LAR65270450	LAMP HOLDER [C]				
0P26	LA65270020	LAR65270020	BULB [C] 12V 20W G4				
0P27	LA61090052	LAR61090052	SCREW [C] M6X16				
0P28	LA61600031	LAR61600031	GASKET [C] D.3,2 UNI 7434				
0P29	LA70048022	LAR70048020	GASKET [C] DOOR T21 2016				
0P30	LAR14173430		PORTA COMPLETA L_201				



Warning! The exploded views refer to the general model

**TAV.C ed.0216**

Pos.	Code	Previous code	Description	Notes	From:	To:	Price ( )
0002	LA65302480	LAR65302480	POWER BOARD [C] NABOO				
0003	LA65302701		SCHEDA DISPLAY NABOO7+FR.VERT.LEO SOM E				
0004	LA65302520	LAR65302520	EXPANSION BOAD [C] BOILER NABOO				
0005	LA65302500	LAR65302500	ENCODER [C] PUSH NABOO+CABLE L=60CM				
0006	LA65302530	LAR65302530	EXPANSION BOAD [C] WASHING SYSTEM NABOO				
0007	LA65321102	LAR65321100	PROBE [C] K 4P 6 PIN IMP.2012				
0008	LA65321360	LAR65321360	CONNECTOR [C] L1000 FEMALE TO CORE PROBE 6 PINS				
0009	LA65330060	LAR65330060	LOUDSPEAKER [C] CONTROL PANEL NA 2014				
0010	LAR86020400		VALIGETTA X SONDA AL CUORE TRASPARENTE				
0011	LA65302510	LAR65302510	EXPANSION BOAD [C] BURNER NABOO				
0012	LA69030250	LAR69030250	KNOB [C] ENCODER D.60				
0012	LA69030370	LAR69030370	MANOPOLA ENCODER D.60				
0013	LA65321310	LAR65321310	CAP [C]				
0014	LA65301740	LAR65301740	CABLE [C] SERIAL WITH PLUG RJ45 L=250				
0015	LA65301750	LAR65301750	CABLE [C] SERIAL WITH PLUG RJ45 L=600				
0016	LA65302600	LAR65302600	CABLE [C] CARD SWITCH CONNECTION USB 90° L=850				
0018	LAR70040040		GASKET [C] CONTROL PANEL T 2015				
0019	LA65321330	LAR65321330	CAP [C] N/S 2014				



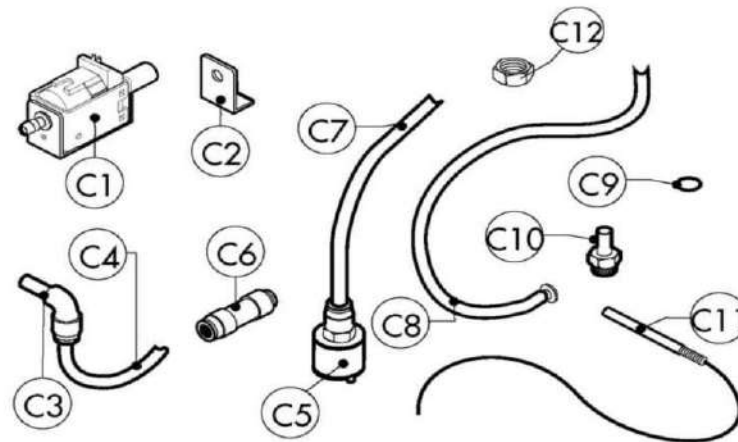
Warning! The exploded views refer to the general model

**TAV.D ed.0216**

Pos.	Code	Previous code	Description	Notes	From:	To:	Price ( )
0001	LAR14217470		BOILER [C] GGMT21				
0002	LAR14215371		LOWER BURNER [C] COMBUSTION CHAMBER G/GM-GV/T21				
0003	LAR14215461		UPPER BURNER [C] COMBUSTION CHAMBER G/GM-GV/T21				
0004	LAR14215381		BURNER [C] BOILER G/GM/T21 2006				
0005	LAR14215340		EXCHANGER [C] G/GM-GV/T21				
0006	LAR14215350		EXCHANGER [C] G/GM-GV/T21				
0008	LAR63050130		IGNITOR [C] A/SMÄ, 9.5 KA1Ä, 3 145/95 90Ä°06				
0010	LA66605150	LAR66605150	CABLE [C] 90Ä° D.6,3 L=500				
0011	LAR66605921		CABLE [C] L400 IGNITION CHAMBER-BOILER 2 CABLES				
0012	LA66605120	LAR66605120	CABLE [C] 90Ä° D.6,3 L=800				
0013	LAR62280078		CURVE [C] HTB DN50 87,5Ä°				
0014	LA11430350	LAR11430350	ORIFICE [C] FAN/BURNER D.18				
0015	LA11430340	LAR11430340	ORIFICE [C] FAN/BURNER D.22				
0016	LA58004190	LAR58004190	ORIFICE [C] D4 MM				
0017	LA58004200	LAR58004200	ORIFICE [C] D4.5 MM				
0018	LA62180132	LAR62180132	INOX FLEXIBLE PIPE [C] L. 50CM				
0019	LAR62180152		INOX FLEXIBLE PIPE [C] L. 100CM				
0020	LA63140060	LAR63140060	GASKET [C] BURNER 18-27 KW				
0021	LA63140010	LAR63140010	GASKET [C] BOILER VM-G/061				
0022	LA63140080	LAR63140080	GASKET [C] BURNER De.126 18-27kW				
0023	LA63140050	LAR63140050	GASKET [C]				
0024	LA70050090	LAR70050090	GASKET [C]				
0025	LA70060121	LAR70060121	COUPLING [C] D. EXT 45.4 D. INT 35				
0026	LA65320010	LAR65320010	PROBE [C] LEVEL TL 10/B				
0027	LA65180270	LAR65180270	TRANSFORMER [C] TRK2-30PVD				
0028	LAR77700056		PIPE [C] D. 30				
0029	LAR63020170		VALVE [C] GAS				
0030	LA65060360	LAR65060360	FAN [C] RG128/1300				
0031	LA63120030	LAR63120030	VENTURI TUBE [C]				
0032	LAR63120040		VENTURI X VALV.GAS.BRUC.PREMIX45900444-0 VENTURI X VALV.GAS.BRUC.PREMIX45900444-0				
0033	LAR63080040		FLANGE [C]				
0034	LAR63080050		FLANGE [C]				



Pos.	Code	Previous code	Description	Notes	From:	To:	Price ( )
0001	LAR58007000		PIN [C]				
0002	LAR58007020		FLANGE [C]				
0003	LA70010080	LAR70010080	GASKET [C] OR 14x2 VITON DIN 981				
0004	LA62090663	LAR62090663	CONNECTOR [C] 10X1/4				
0005	LAR65090250		GEARMOTOR [C]				
0006	LA62090633	LAR62090633	CONNECTOR [C] 10/10				
0007	LAR65110600		PUMP [C]				
0008	LA62090498	LAR62090498	CONNECTOR [C] D.8				
0009	LA62090888	LAR62090888	MANIFOLD [C] 3WAYS-2D.10+1D.8+3 NO RETURN CONTROL				
0010	LA65090480	LAR65090480	TIMER [C]				
0011	LA62090608	LAR62090608	END SIDE PIPE [C] 8x1/8				
0012	LAR70045120		GASKET [C]				
0013	LA62090678	LAR62090678	ELBOW [C] Å,8-Å,8				
0014	LAR70010050		GASKET [C] 7,60X2,62				
0015	LA80150020	LAR80150020	PIPE [C]				
0016	LA80150040	LAR70070080	PIPE [C]				
0017	LA65110650	LAR65110650	VALVE [C]				
0018	LA62020118	LAR62020118	NIPPLE [C] 1/4				
0019	LA80120060	LAR80120060	PIPE [C]				
0020	LA62090482	LAR62090482	CONNECTOR [C]				
0021	LAR62090638		CONNECTOR [C]				
0023	LAR65110280		SOLENOID VALVE [C] 220V 50HZ 3 WAYS				
0024	LA80150000	LAR80150000	PIPE [C]				
0025	LA62090688	LAR62090688	CONNECTOR [C]				
0026	LAR58007030		WASHING HEAD [C] L=165 (2/1)				
0027	LA58005060	LAR58005060	CAP [C]				



Warning! The exploded views refer to the general model

**TAV.E ed.0216**

Pos.	Code	Previous code	Description	Notes	From:	To:	Price ( )
00C1	LAR65110620		PUMP [C] 230V 50HZ				
00C3	LA62090808	LAR62090808	ELBOW [C] Å,6-Å,6				
00C4	LA80150050	LAR80150050	PIPE [C]				
00C5	LA65110650	LAR65110650	VALVE [C]				
00C6	LA62090798	LAR62090798	REDUCTION [C] Å,8-Å,6				
00C7	LA80150020	LAR80150020	PIPE [C]				
00C8	LA11429630	LAR11429630	PIPE [C]				
00C9	LA62070023	LAR62070023	BICONE [C] D. 6				
0C10	LA62060223	LAR62060223	NUT [C] D. 6				
0C11	LA65324550	LAR65324550	PROBE [C] LEVEL CALOUT TL 10/B EL=20 TF=15				
0C12	LAR62060193		NUT [C] 1/2				

