

1 2 3 4 5 6 7 8

A

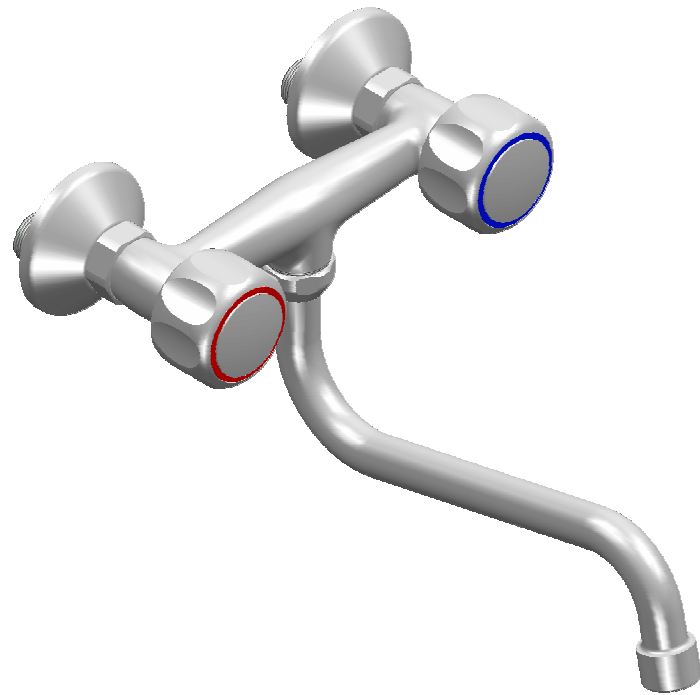
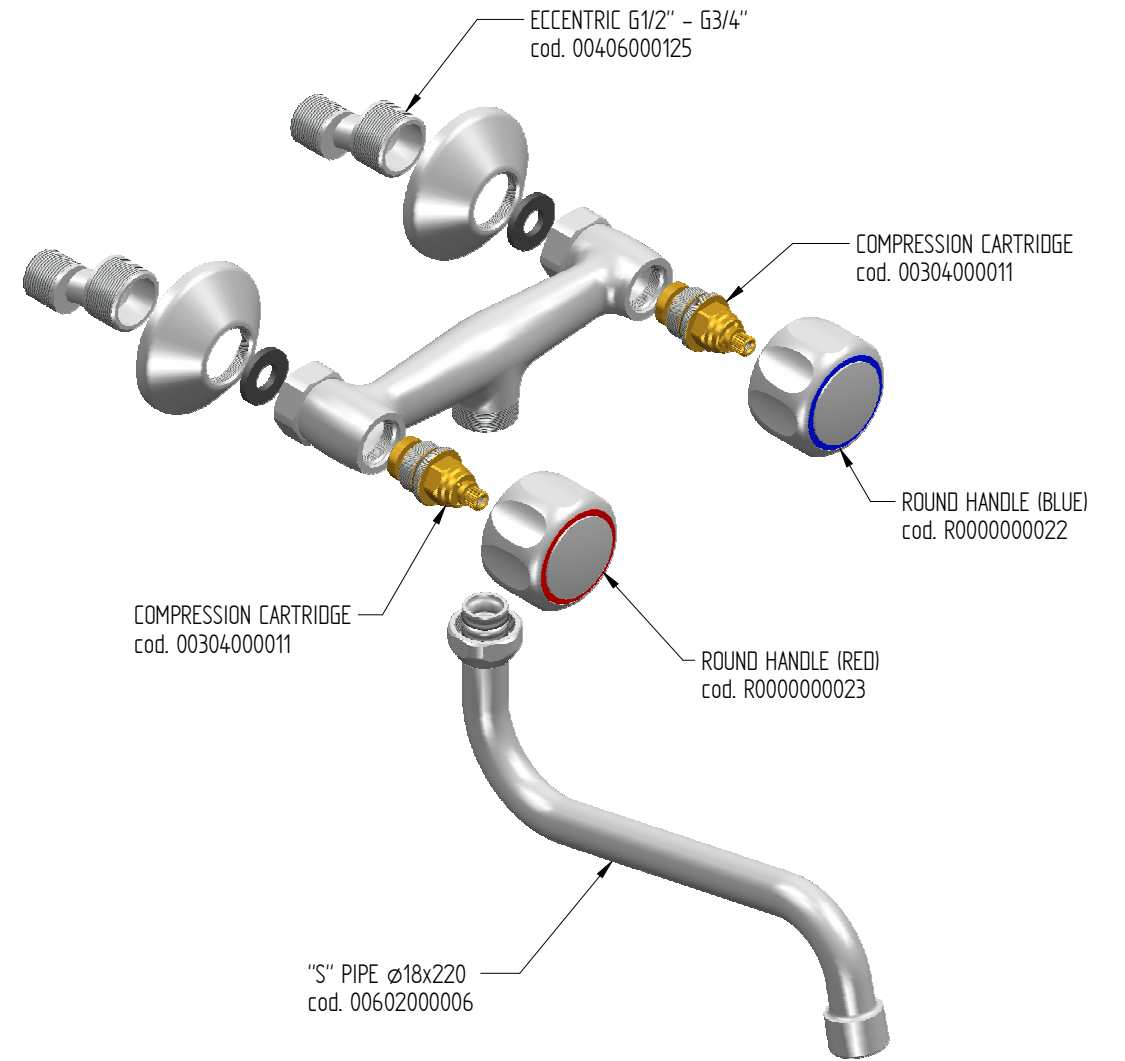
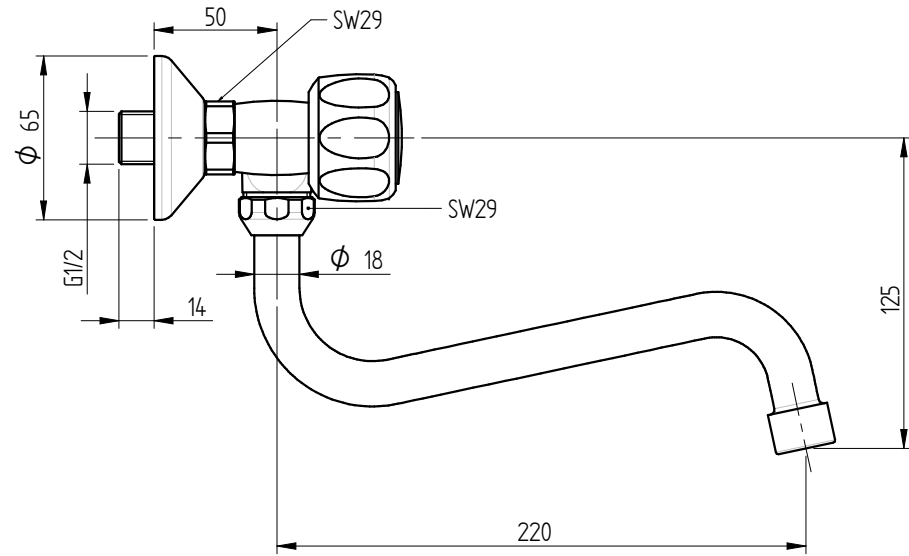
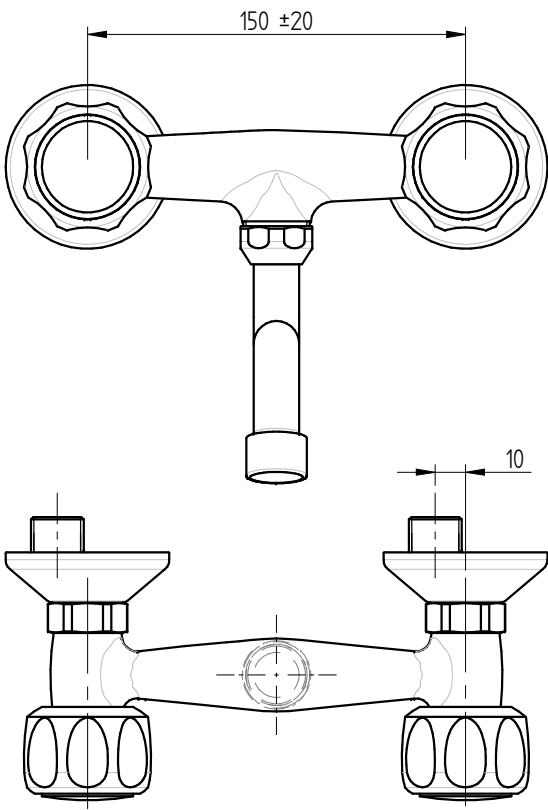
B


C

D

E

F



Shares without tolerance according to standard UNI-EN-22768-1-m		DESCRIPTION TWO HOLES WALL TAP WITH ROUND HANDLES, "S" PIPE $\varnothing 18 \times 220$. 150±20mm WHEELBASE	CODE R0102010219
SIZE A3	European Projection		WEIGHT 1,05 Kg
DATE 01-10-2018	SCALE 1:3	 DESIGN AND TECHNOLOGICAL RESEARCH FOR WATER VIA DELL'ARTIGIANO 8/F-8-G , 31050 MONASTIER di TREVISO (TV) tel: 0422 842157 - fax: 0422 708978	F
DRAWN PICCOLO M.			
VALIDATE PICCOLO M.			
DONE WITH DESIGN CAD - PROHIBITED THE CHANGES MANUAL			

1 2 3 4 5 6 7 8