



TB 1405

LIST OF THE EXPLODED VIEWS



SHELL ASSY

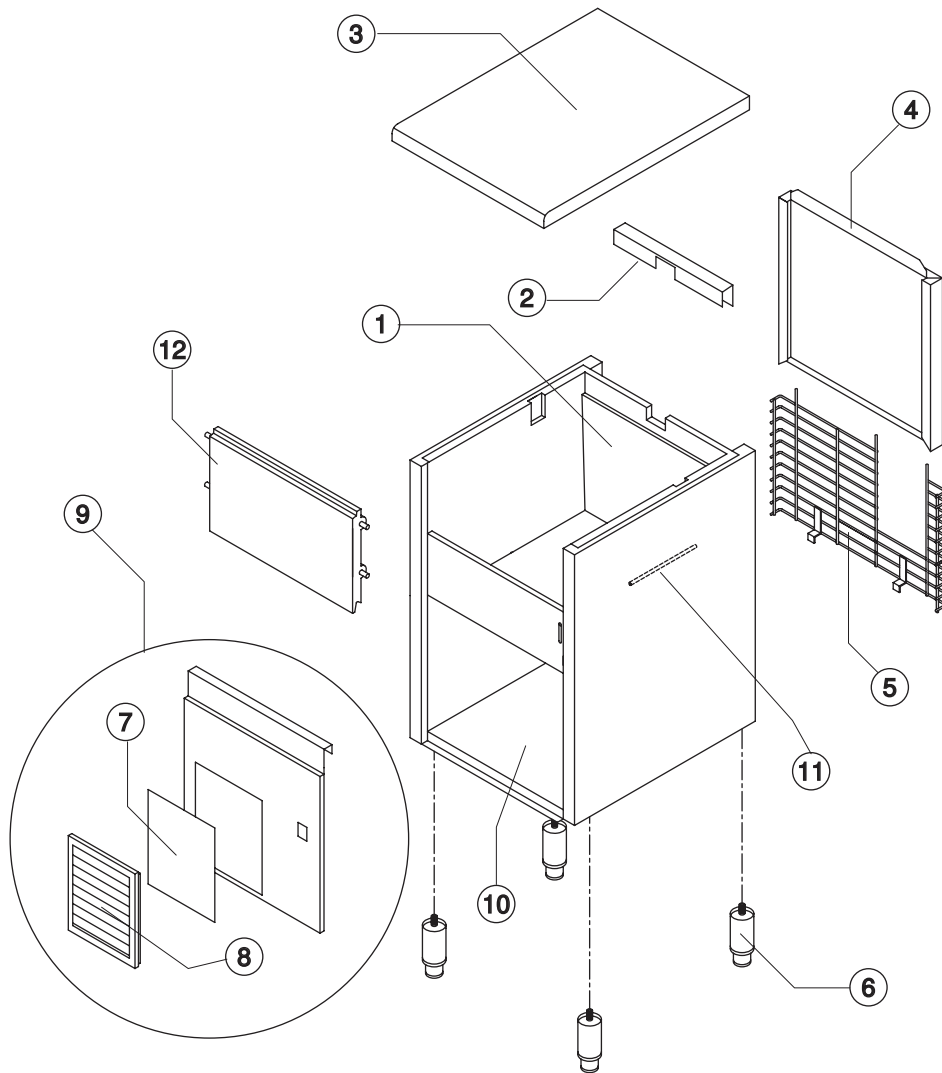
COOLING SYSTEM

EVAPORATOR

HYDRAULIC CIRCUIT

ELECTRIC PARTS

Rev. 5 - 22/01/2014

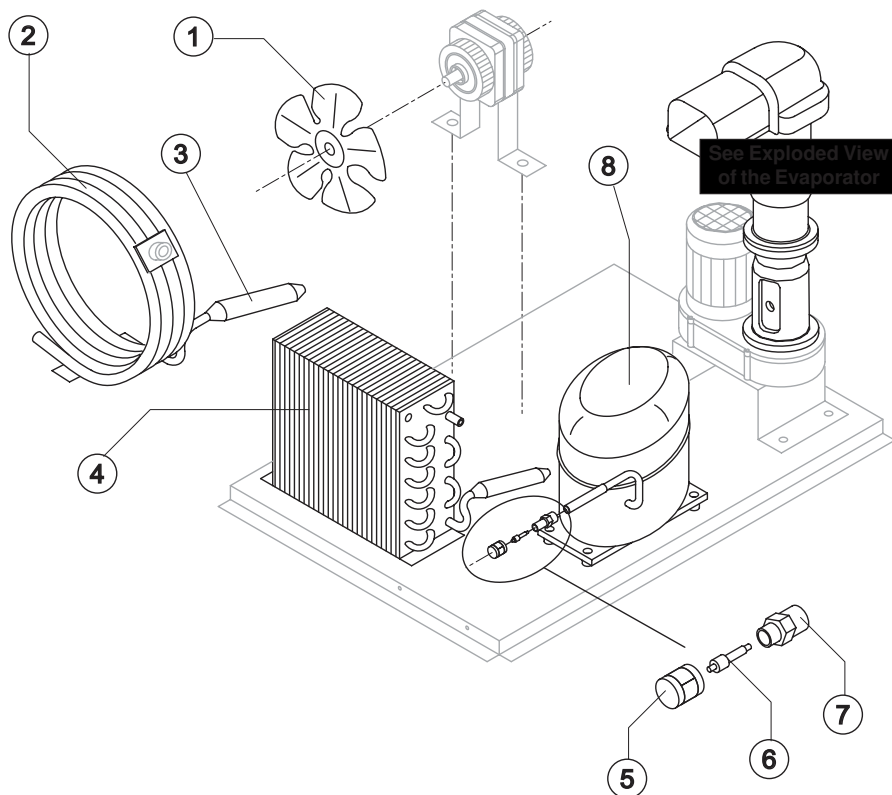


Rev. 5 - 22/01/2014

Ref.	Spare Description	Code
1	Foamed Cabinet Assy	See Table
2	Cover for Ice Exhaust	Current version
2	Cover for Ice Exhaust	Till s/n. 589140
3	Top Assembly	C22690
4	Rear Panel Assembly	C21202
5	Rear Grid	D12020
6	Adjustable Stainless Steel Foot	20613
7*	Filtering Panel	18106
8	Frame + Grid & Filter	C10205
9	Front Grid Panel	C22510
10	Base Plate	21284
11	Bulbe-holder Pipe	20522
12	Door Assy	C10275

Ref. 1 - Foamed Cabinet Assy

Condensation	Code
Air	C11156A
Water	C11156W



Common Parts

Ref.	Spare Description	Code
3*	Molecular Drier	14009
5*	Vacuum-Charge Valve Plug	14006
6*	Vacuum-Charge Valve Device	14005
7	Vacuum-Charge Valve Body	14007
8	Compressor	23832

Parts for Air-Cooled Version Only

Ref.	Spare Description	Code
1	Sucking Fan	20031
4	Air Condenser	20558

Parts for Water-Cooled Version Only

Ref.	Spare Description	Code
1	Sucking Fan	10213
2	Water Condenser	14014



TB 1405

EVAPORATOR

Current Version

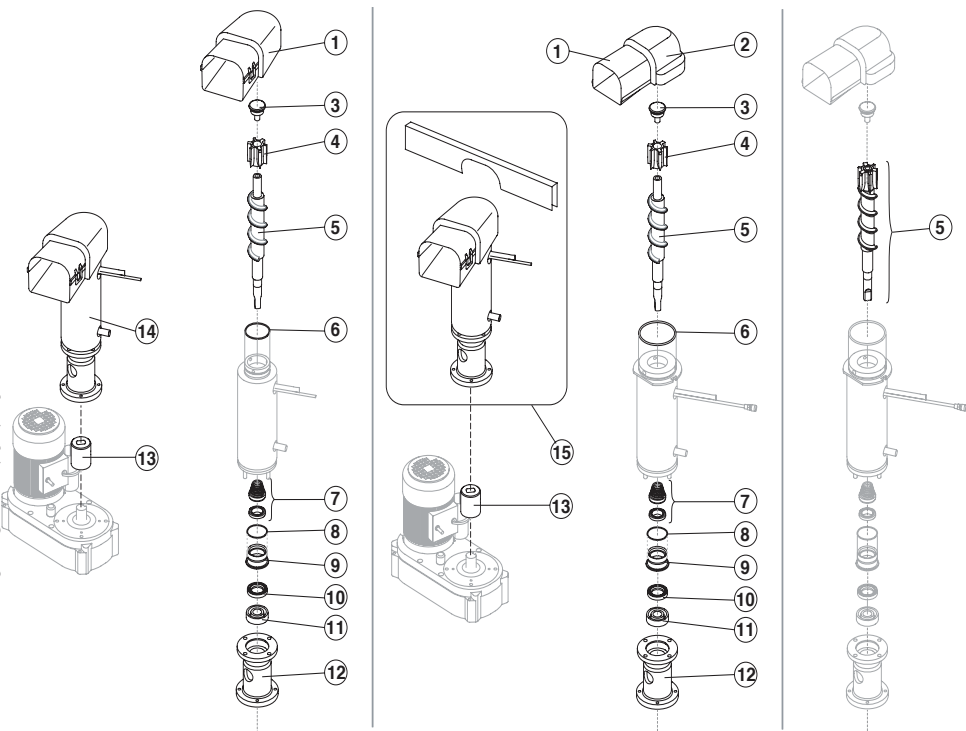
Till s/n. 589140

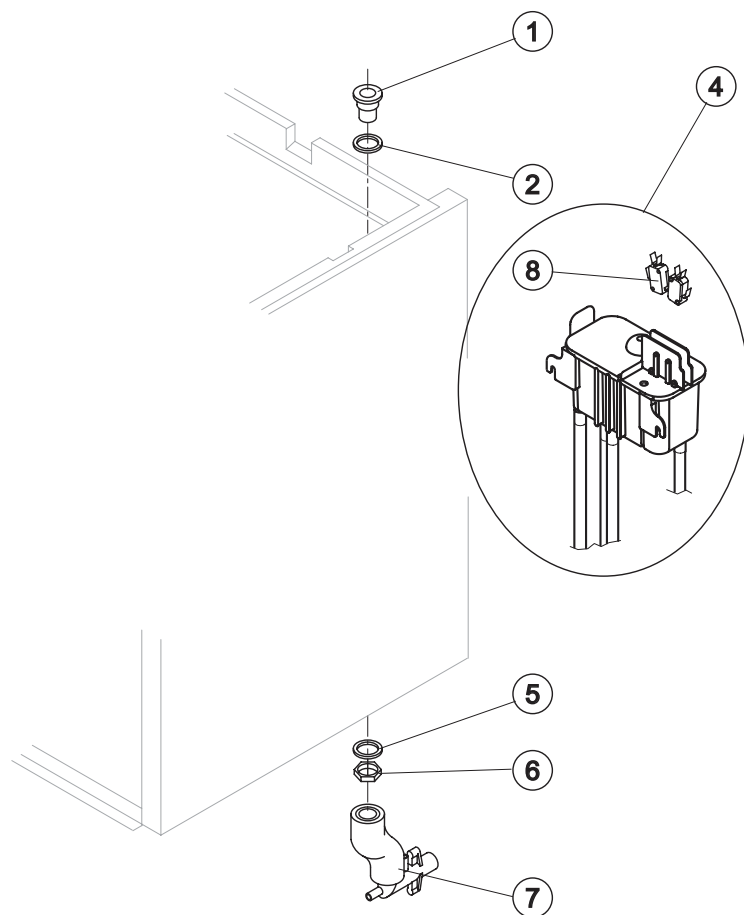
Till s/n. 555097

Ref.	Spare Description (Current version)	Code
1	Ice Exhaust with insulatig cap	C10648
3	Ice Breaker	20915
4	Extruder with bearings assembly	C201001
5	Auger	201000
6	OR Gasket 4325	20987
7	Ceramic Seal	20937
8	OR Gasket 3162 mat. NBR70	20429
9	Reduction Ring	20785
10	Seal Ring	20985
11	Bearing	20917
12	Flange	20916
13	Joint	D20630
14	Evaporator Assy	C11174

Ref.	Spare Description (till s/n. 589140)	Code
1	Ice Exhaust	C10556
2	Insulating cap	18208
3	Ice Breaker	20915
4	Extruder with bearings assembly	From s/n. 555098 C201001
5	Auger	From s/n. 555098 201000
5	Auger + Extruder with bearings assembly	Till s/n. 555097 C20918
6	OR Gasket 4325	20931
7	Ceramic Seal	20937
8	OR Gasket 3162 NBR70	20429
9	Reduction Ring	20785
10	Seal Ring	From s/n. 515012 20985
11	Bearing	20917
12	Flange	20916
13	Joint	D20630
14	Evaporator Assy	KITNEVTB1405

Rev. 5 - 22/01/2014





Rif.	Descrizione Ricambio	Codice
<i>Common Parts</i>		
Ref.	Spare Description	Code
1	Water Outlet Nipple	10472
2	Silicone Gasket	13006
4*	Double Switch Basin Assembly	C10710
5	Semirigid Polyethylene Gasket	13007
6	Bin Discharge Nut	10096
8	Microswitch	23055

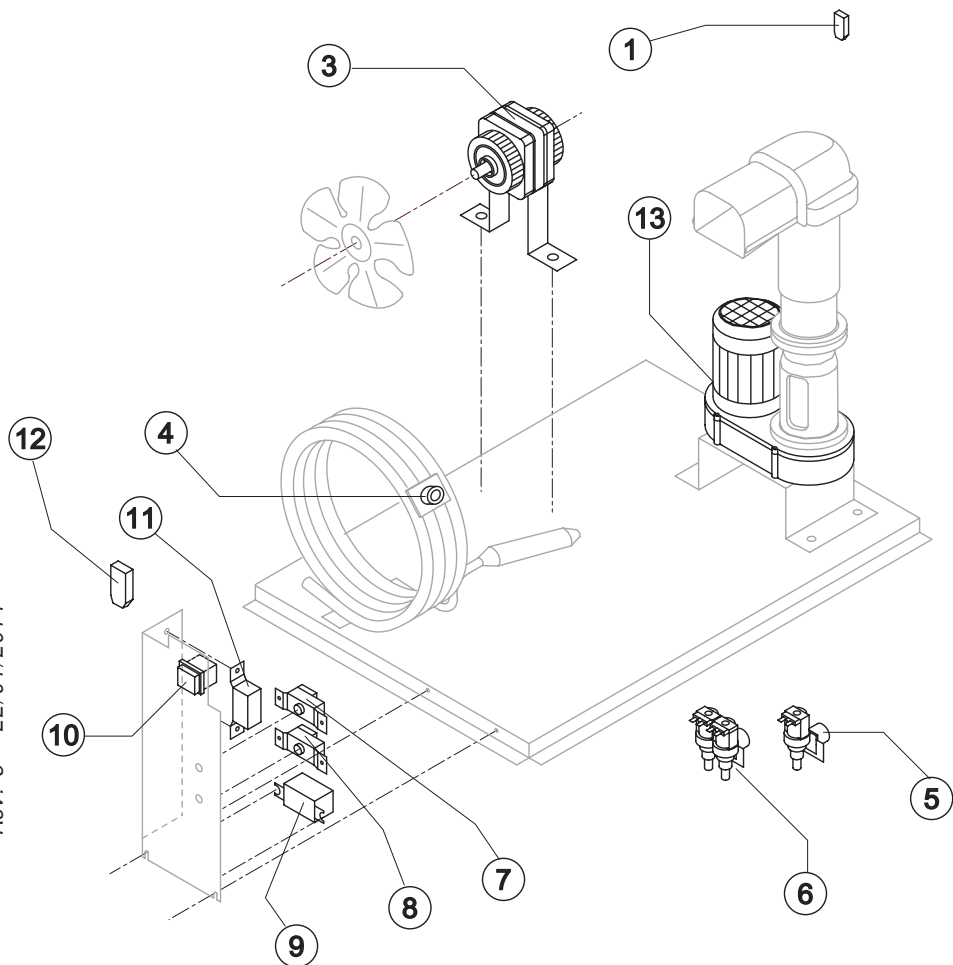
Ref.	Spare Description	Code
1	Water Outlet Nipple	10472
2	Silicone Gasket	13006
4*	Double Switch Basin Assembly	C10710
5	Semirigid Polyethylene Gasket	13007
6	Bin Discharge Nut	10096
8	Microswitch	23055

Parts for Air-Cooled Version Only

Ref.	Spare Description	Code
7	Discharges Manifold	C10235

Parts for Water-Cooled Version Only

Ref.	Spare Description	Code
7	Discharges Manifold	C10240



Common Parts

Ref.	Spare Description	Code
1	Anti Radio Interference Filter	C23457
7*	Bin Thermostat	R23005
8*	Evaporator Thermostat	Current Version R23591
8*	Evaporator Thermostat	Till s/n. 587092 KIT23591
9*	Relay	23190
10*	Green Light Switch (On-Off)	23327
11*	Condenser Pressure Switch	23175
12	Anti Radio Interference Filter	C23459
13	Gearmotor	Current Version 231060
13	Gearmotor	Till s/n. 594912 R231060

Parts for Air-Cooled Version Only

Ref.	Spare Description	Code
3*	Fan Motor	23067
5*	1 Way- Water Inlet Valve	23115

Parts for Water-Cooled Version Only

Ref.	Spare Description	Code
3*	Fan Motor	23029
4*	Safety Thermostat	C23114
6*	2 Ways- Water Inlet Valve	23010

Rev. 5 - 22/01/2014