

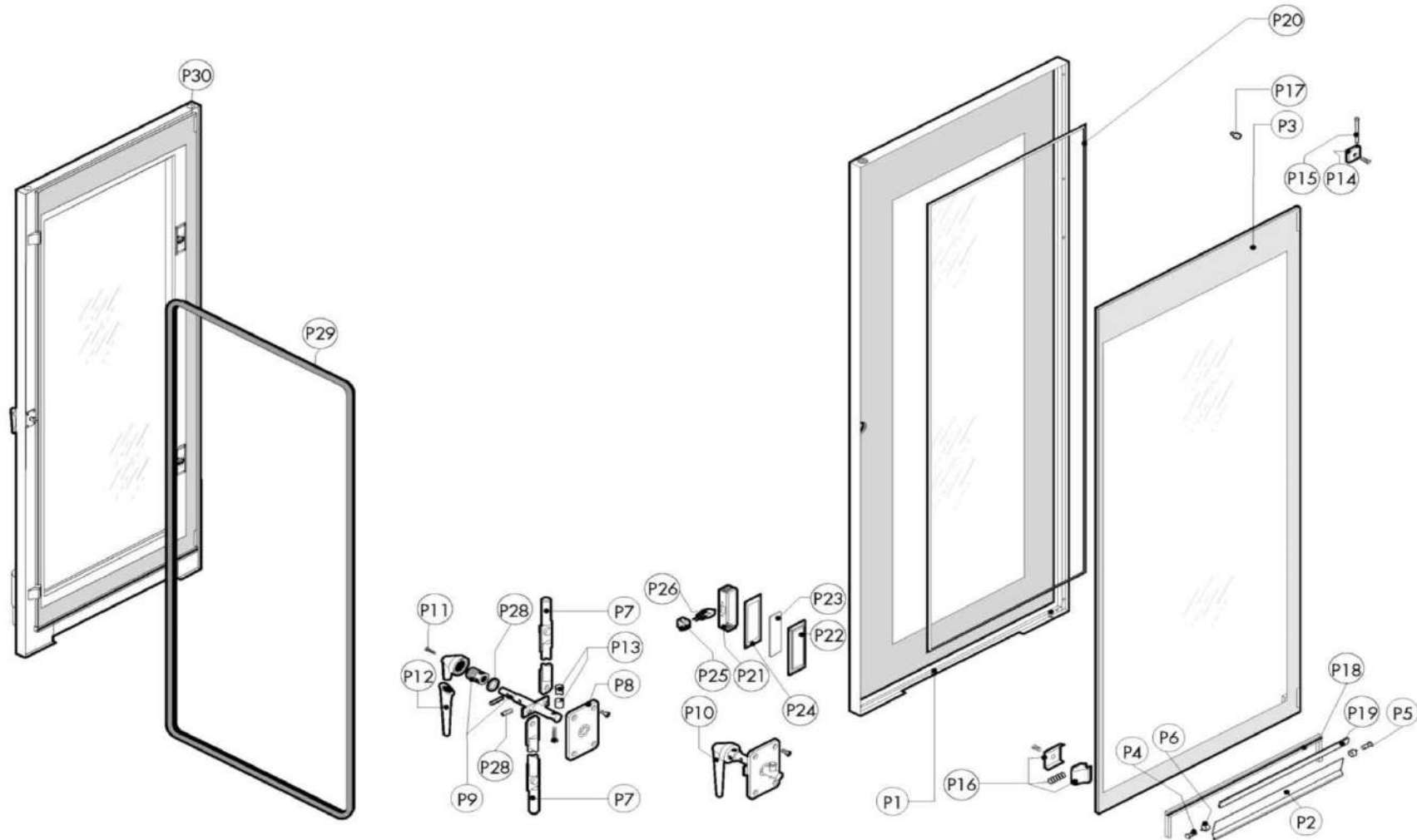
Warning! The exploded views refer to the general model

TAV.A ed.0216

Pos.	Code	Previous code	Description	Notes	From:	To:	Price ()
0001	LA70010370	LAR70010370	GASKET [C]				
0002	LAR11205390		LOWER HINGE KIT [C] M-V/201-202				
0003	LAR10201710		FILTER [C] D.86/44.5 M/210-12				
0004	LA11426830	LAR11401410	UPPER HINGE [C] DOOR SR.2013				
0005	LAR58002540		KEY [C] FOR PIN DOOR M-V/120-22				
0006	LA65190040	LAR65190040	CONDENSER [C] 20µF V425-B 40x70				
0007	LAR65260752		CONTACT [C] LIGHTS SR.2014				
0008	LA65240020	LAR65240020	LOCK NUT [C] PG 116/16/NY				
0009	LA58003850	LAR58003850	COUNTER FLANGE [C] LARGE				
0010	LA62280038	LAR62280038	CURVE [C] D.50 D.50X				
0011	LA58004050	LAR58004050	NUT [C] FOR HINGE PIN M/106-220				
0012	LA65110200	LAR65110200	SOLENOID VALVE [C] 220V 50HZ 1 WAY				
0013	LAR65110240		SOLENOID VALVE [C] 220V 50HZ 2P+1D 3 WAYS				
0014	LA61630011	LAR61630011	ZINC CLAMP [C] 12-22/9				
0015	LAR61630031		ZINC CLAMP [C] 40-60/9				
0016	LAR65280490		FERRITE [C] FT36				
0017	LA65280230	LAR65280230	FILTER [C]				
0018	LA63080030	LAR63080030	FLANGE [C]				
0019	LA58003840	LAR58003840	FLANGE [C]				
0021	LAR70010050		GASKET [C] 7,60X2,62				
0022	LA70045010	LAR70045010	GASKET [C] BOILER HEATING ELEMENT				
0023	LA70030190	LAR70010120	GASKET [C] 90X90X3				
0024	LA70050150	LAR70050150	GASKET [C] BOILER CAP				
0025	LA70010030	LAR70010030	GASKET [C] 6,07X1,78				
0026	LA70010210	LAR70010210	GASKET [C] 18,72X2,62				
0027	LAR62090713		MANICOTTO FF 3/4-1/2 OT				
0028	LA62030113	LAR62030113	COUPLING [C] FF 1/8-1/4 BRASS				
0029	LAR70060080		COUPLING [C] D. 13X18X80				
0030	LA70060040	LAR70060040	COUPLING [C] D. INT 51 D. EXT 59				
0031	LA70060050	LAR70060050	COUPLING [C] D. 60				
0032	LAR10457840		HANDLE [C] TROLLEY KS/021-040				
0033	LA75300070	LAR75300070	PLATE [C] FAN D.350 N/S101 2014				
0034	LAR65265100		MICROSWITCH [C]				
0035	LA61620091	LAR61620091	SPRING [C] D.14/6,4X0,8 C70				
0036	LA65220280	LAR65220280	TERMINAL BOARD [C]				
0037	LAR65040550		MOTOR [C] 200/440V 0,55KW F1 4P				

Pos.	Code	Previous code	Description	Notes	From:	To:	Price ()
0038	LA63060160	LAR63060160	IGNITION PANEL [C] Ts=5 Tps=1				
0039	LA58002550	LAR58002550	SLIDING BLOCK [C] M-V/120-220				
0040	LA58003140	LAR58003140	PIN [C]				
0041	LAR58003110		PIN [C]				
0042	LA58002150	LAR58002150	PIN [C]				
0043	LA65210020	LAR65210020	FUSE CARRIER [C] 5X20				
0044	LAR65240010		FAIRLEAD [C] PG 107 Z/1				
0044	SIR0101302		PRESSACAVO	UL Version (USA-CAN)			
0045	LA58002560	LAR58002560	CATCH [C] DOOR M-V/120- 220				
0046	LAR63070050		PRESSURE SWITCH [C] 1/8 0,5-0,35 BAR				
0047	LA63070010	LAR63070010	PRESSURE SWITCH [C]				
0048	LAR65095000	LAR65090220	MOTOR [C] VENTING				
0049	LA62090908	LAR62090908	CONNECTOR [C] D.10				
0050	LA62090918	LAR62090918	CONNECTOR [C] D.10				
0051	LA62090478	LAR62090478	CONNECTOR [C] D.10				
0052	LA62090928	LAR62090928	CONNECTOR [C]				
0053	LAR62090508		CONNECTOR [C]				
0054	LA65110520	LAR65110520	REGULATOR [C] GREEN ALPHATECH 22LT/H				
0055	LA62090723	LAR62090723	REDUCTION [C]				
0056	LA58004010	LAR58004010	WASHER [C] D. 30/12,5				
0057	LA58002570	LAR58002570	WASHER [C] 15X3				
0058	LA69090360	LAR69090360	CASTOR [C] D. 100				
0059	LA69090350	LAR69090350	CASTOR [C] D. 100				
0060	LAR65320220		PROBE [C] K 6X80 1,5ML				
0061	LA65160810	LAR65160810	SUPP.TERMICO 3RU2916-3AA01				
0062	LA65321370	LAR65321370	CAP [C] SA 2014				
0063	LAR58006690		CAP [C] SERIE 2014				
0064	LA65140900		SWITCH [C]				
0065	LAR65160850		TERM.MOT.3RU2116-1EB0 2,8-4,0				
0066	LA65070350	LAR65070350	THERMOSTAT [C] 360Â°C				
0066	LA65070370	LAR65070370	THERMOSTAT [C] 360Â°C	UL Version (USA-CAN)			
0067	LA65180420	LAR65180420	TRANSFORMER [C] 20VA				
0068	LA65180430	LAR65180430	TRANSFORMER [C] 40VA				
0068	LA65187110	LAR65187110	TRANSFORMER [C] 40VA	UL Version (USA-CAN)			
0069	LA80150060	LAR80150060	PIPE [C]				
0070	LA80120060	LAR80120060	PIPE [C]				

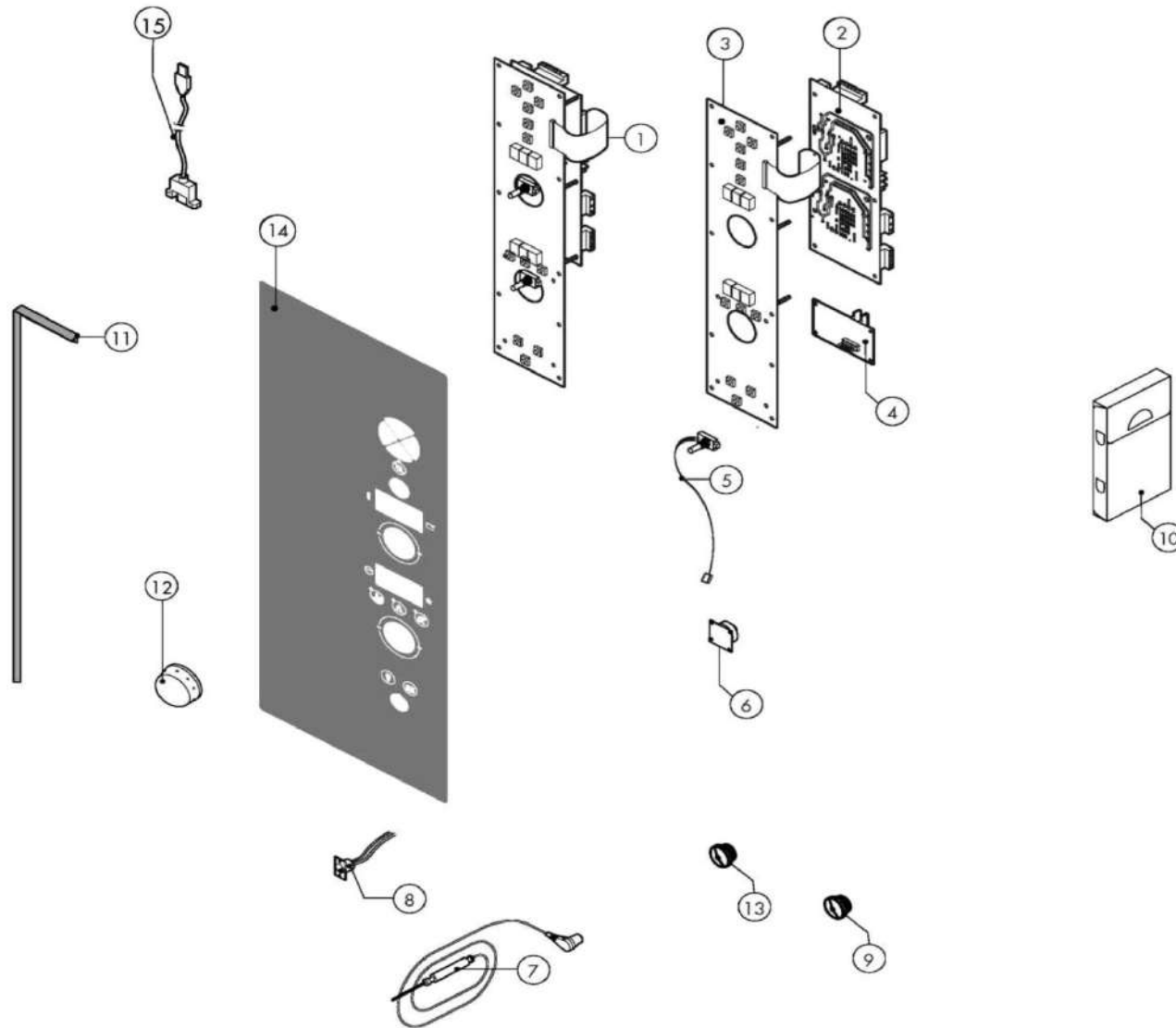
Pos.	Code	Previous code	Description	Notes	From:	To:	Price ()
0071	LA58006160	LAR58006160	NOZZLE [C] D. 0,80				
0072	LA65060050	LAR65060050	FAN [R] D. 120				
0073	LA75400440	LAR75400440	FAN [C] D. 350X114 50HZ	50Hz			
0073	LA75400471	LAR75400471	FAN [C] D. 350X114 60HZ	60Hz			
0074	LAR58000430		VITE ES. 15x8 AISI 303 DF.M8				
0075	LA58004000	LAR58004000	SCREW [C] M12X1.5				
0076	LA61020562	LAR61020562	SCREW [C] M6X55 UNI 5737				
0077	LAR61260152		VITE				



Warning! The exploded views refer to the general model

TAV.B ed.0216

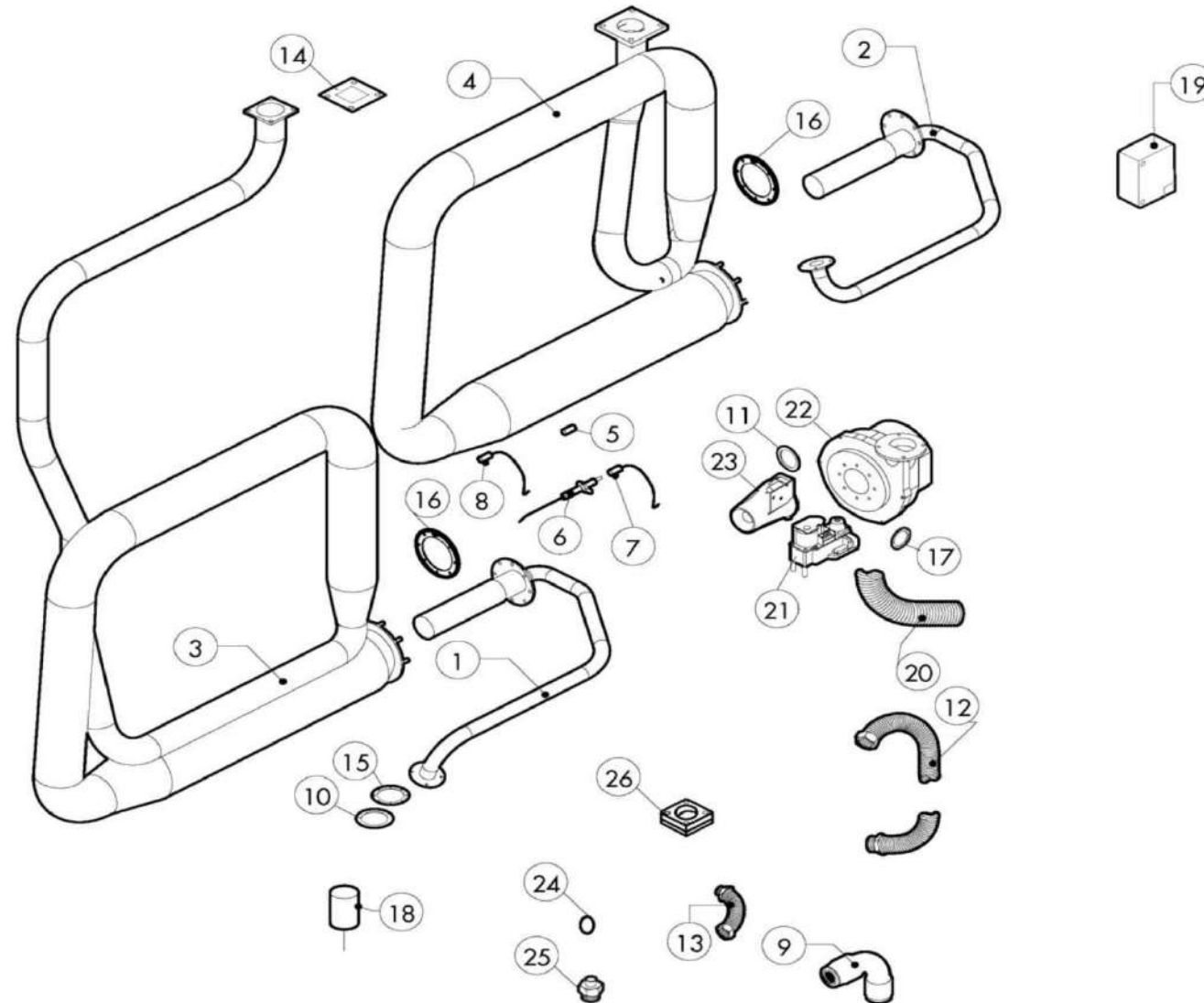
Pos.	Code	Previous code	Description	Notes	From:	To:	Price ()
00P1	LAR14201170		DOOR [C] NA/SA_202				
00P2	LAR11437930		CLOSING PLATE [C] K_202				
00P3	LAR71201870		GLASS PLATE [C]				
00P4	LAR58006861		CLOSING PLATE ROTATION PIVOT [C]				
00P5	LA58006910	LAR58006910	CLOSING PLATE ROTATION PIVOT [C]				
00P6	LAR65491250		SPRING [C]				
00P7	LA11207670	LAR11207670	ROD [C] K_201-202				
00P8	LA03200970	LAR03200970	FLANGE [C]				
00P9	LAR11205340		PIN [C] HANDLE M-V/201-202				
0P10	LAR11100312		LOCK [C]				
0P11	LAR69010710		TAPPO MAN. GRIGIA GR.6303 C/ANELLO CROM.				
0P12	LA69010820	LAR69010820	HANDLE [C] GREY				
0P13	LAR58004781		HOOK [C]				
0P14	LA58001760	LAR58001760	HINGE [C] GLASS SR2000				
0P15	LA58001770	LAR58001770	PIN [C]				
0P16	LAR58001780		CATCH [C] DOOR P2000				
0P17	LAR70050180		SPACER [C] GLASS 15x8 M4x12 A2				
0P18	LAR70044360	LAR70044362	GASKET [C] H_201-202				
0P19	LA80100910	LAR80100910	PROFILE [C]				
0P20	LAR80100100		PROFILE [C]				
0P21	LA11401440	LAR11401440	LAMP COVER [C]				
0P22	LA11401450	LAR11401450	FLANGE [C]				
0P23	LA71500150	LAR71500150	GLASS PLATE [C] P2000				
0P24	LA70044200	LAR70044200	GASKET [C]				
0P25	LA65270450	LAR65270450	LAMP HOLDER [C]				
0P26	LA65270020	LAR65270020	BULB [C] 12V 20W G4				
0P28	LA61600031	LAR61600031	GASKET [C] D.3,2 UNI 7434				
0P29	LA70044922	LAR70044920	GASKET [C] DOOR K_202 2017				
0P30	LAR14173440		PORTA COMPLETA L_202				



Warning! The exploded views refer to the general model

TAV.C ed.0216

Pos.	Code	Previous code	Description	Notes	From:	To:	Price ()
0001	LAR65302100		BOARD [C] S 2009				
0002	LA65302250	LAR65302250	BOARD [C] S 2009				
0003	LA65302240	LAR65302240	KEYBOARD [C] S 2009				
0004	LA65301950	LAR65301950	EXPANSION BOAD [C] BURNER X 2006				
0005	LA65301941	LAR65301940	ENCODER [C] S COMPACT 2009 SANDWICH				
0006	LA65302450	LAR65301960	BOARD [C] BUZZER S				
0007	LA65321102	LAR65321100	PROBE [C] K 4P 6 PIN IMP.2012				
0008	LA65321360	LAR65321360	CONNECTOR [C] L1000 FEMALE TO CORE PROBE 6 PINS				
0009	LA65321330	LAR65321330	CAP [C] N/S 2014				
0010	LAR86020400		VALIGETTA X SONDA AL CUORE TRASPARENTE				
0012	LA69030260	LAR69030260	KNOB [C] ENCODE D.42				
0012	LA69030370	LAR69030370	MANOPOLA ENCODER D.60				
0013	LA65321310	LAR65321310	CAP [C]				
0015	LA65302600	LAR65302600	CABLE [C] CARD SWITCH CONNECTION USB 90A° L=850				



Warning! The exploded views refer to the general model

TAV.D ed.0216

Pos.	Code	Previous code	Description	Notes	From:	To:	Price ()
0001	LAR11224161		BURNER [C] COMBUSTION CHAMBER HMG202				
0002	LAR11224151		BURNER [C] COMBUSTION CHAMBER HMG202				
0003	LAR11224060		EXCHANGER [C] H/M-V/G 202				
0004	LAR11224050		EXCHANGER [C] H/M-V/G 202				
0006	LAR63050130		IGNITOR [C] A/SMÃ ,9.5 KA1Ã ,3 145/95 90Â°06				
0007	LAR66605811		CABLE [C] L850 ING/DET CHAMBER-BOILER 2 CABLES				
0008	LA66605130	LAR66605130	CABLE [C] 90Â° D.6,3 L=950				
0009	LAR62280078		CURVE [C] HTB DN50 87,5Â°				
0010	LA11430340	LAR11430340	ORIFICE [C] FAN/BURNER D.22				
0011	LA58004200	LAR58004200	ORIFICE [C] D4.5 MM				
0012	LAR62180152		INOX FLEXIBLE PIPE [C] L. 100CM				
0013	LA62180132	LAR62180132	INOX FLEXIBLE PIPE [C] L. 50CM				
0014	LA63140010	LAR63140010	GASKET [C] BOILER VM-G/061				
0015	LA63140050	LAR63140050	GASKET [C]				
0016	LA63140080	LAR63140080	GASKET [C] BURNER De.126 18-27kW				
0017	LA70050090	LAR70050090	GASKET [C]				
0018	LA70060121	LAR70060121	COUPLING [C] D. EXT 45.4 D. INT 35				
0019	LA65180270	LAR65180270	TRANSFORMER [C] TRK2-30PVD				
0020	LAR77700056		PIPE [C] D. 30				
0021	LAR63020170		VALVE [C] GAS				
0022	LA65060360	LAR65060360	FAN [C] RG128/1300				
0023	LAR63120040		VENTURI X VALV.GAS.BRUC.PREMIX45900444-0 VENTURI X VALV.GAS.BRUC.PREMIX45900444-0				
0024	LA62070023	LAR62070023	BICONE [C] D. 6				
0025	LA62060223	LAR62060223	NUT [C] D. 6				
0026	LAR63080040		FLANGE [C]				

Pos.	Code	Previous code	Description	Notes	From:	To:	Price ()
0001	LAR58007000		PIN [C]				
0002	LAR58007020		FLANGE [C]				
0003	LA70010080	LAR70010080	GASKET [C] OR 14x2 VITON DIN 981				
0004	LA62090663	LAR62090663	CONNECTOR [C] 10X1/4				
0005	LAR65090250		GEARMOTOR [C]				
0006	LA62090633	LAR62090633	CONNECTOR [C] 10/10				
0007	LAR65110600		PUMP [C]				
0008	LA62090498	LAR62090498	CONNECTOR [C] D.8				
0009	LA62090888	LAR62090888	MANIFOLD [C] 3WAYS-2D.10+1D.8+3 NO RETURN CONTROL				
0010	LA65090480	LAR65090480	TIMER [C]				
0011	LA62090608	LAR62090608	END SIDE PIPE [C] 8x1/8				
0012	LAR70045120		GASKET [C]				
0013	LA62090678	LAR62090678	ELBOW [C] Å,8-Å,8				
0014	LAR70010050		GASKET [C] 7,60X2,62				
0015	LA80150020	LAR80150020	PIPE [C]				
0016	LA80150040	LAR70070080	PIPE [C]				
0017	LA65110650	LAR65110650	VALVE [C]				
0018	LA62020118	LAR62020118	NIPPLE [C] 1/4				
0019	LA80120060	LAR80120060	PIPE [C]				
0020	LA62090482	LAR62090482	CONNECTOR [C]				
0021	LAR62090638		CONNECTOR [C]				
0023	LAR65110280		SOLENOID VALVE [C] 220V 50HZ 3 WAYS				
0024	LA80150000	LAR80150000	PIPE [C]				
0025	LA62090688	LAR62090688	CONNECTOR [C]				
0026	LAR58007030		WASHING HEAD [C] L=165 (2/1)				
0027	LA58005060	LAR58005060	CAP [C]				