



**MPEG7750I**

**Catalogo parti di ricambio valido  
dalla matricola 0000001 (31.10.2006) ad oggi (01.12.2022)**

**Catalogue pieces detachees  
valable à partir du numero de Série n. 0000001 (31.10.2006) jusqu'à aujourd'hui  
(01.12.2022)**

**Ersatzteilkatalog  
gültig ab Serien-Nr. 0000001 (31.10.2006) bis heute (01.12.2022)**

**Spare parts catalogue  
valid from serial no. 0000001 (31.10.2006) up today (01.12.2022)**

**Catálogo de peças de reposição  
válido do número de série 0000001 (31.10.2006) até hoje (01.12.2022)**

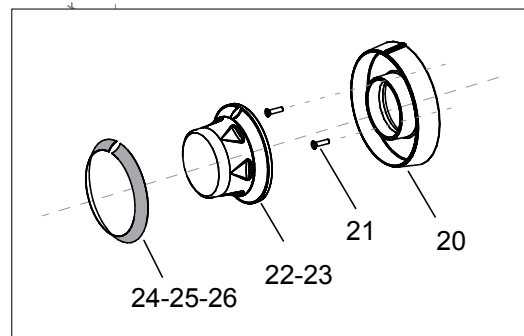
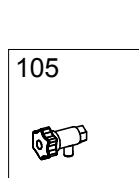
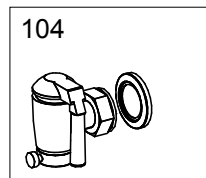
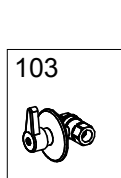
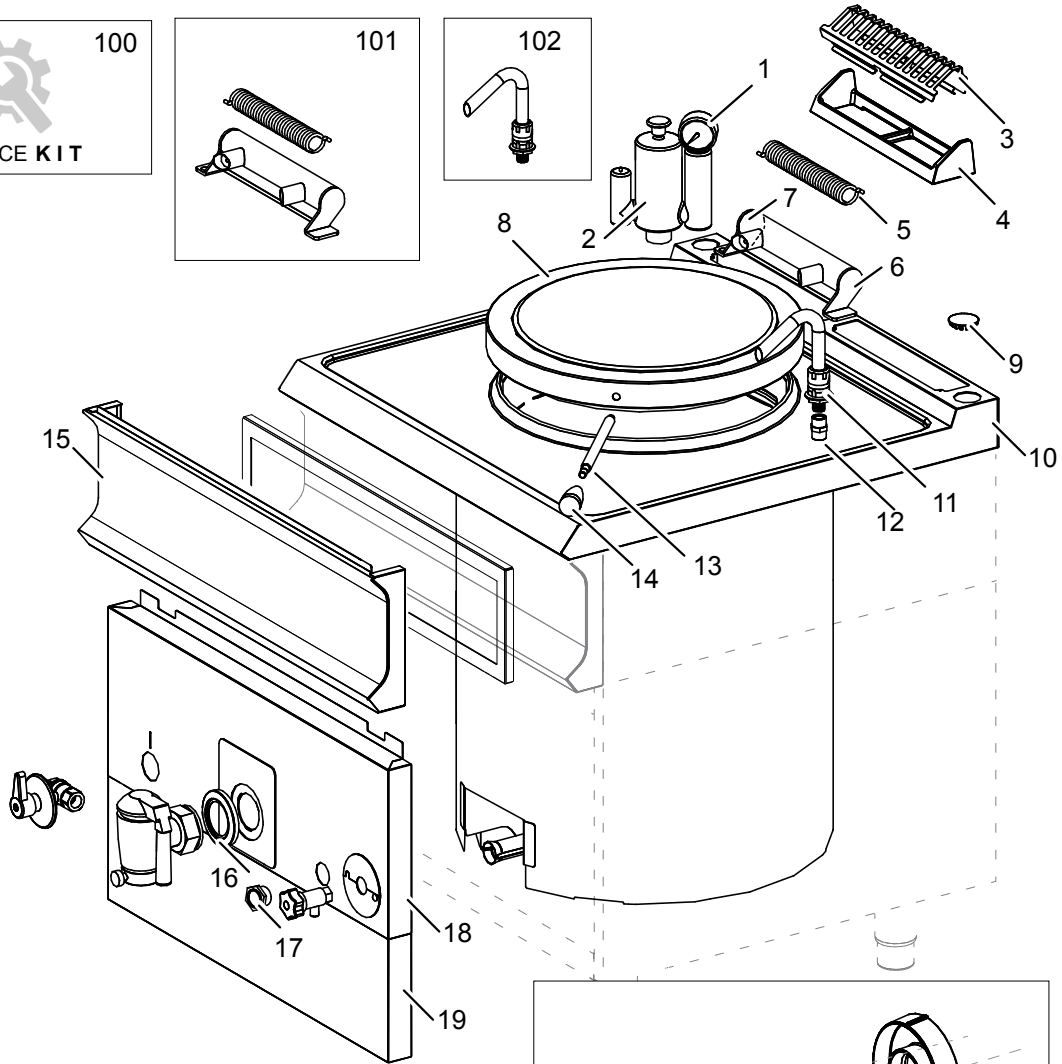
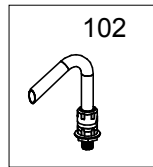
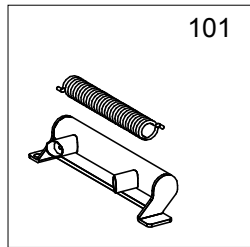
Le informazioni sono considerate non vincolanti. Le immagini rappresentate sono puramente indicative. Il produttore si riserva il diritto di apportare modifiche in qualsiasi momento senza preavviso.

Les informations données ne sont pas contraignantes. Les images montrées sont à titre indicatif. Le producteur se réserve le droit d'apporter des modifications sans préavis.

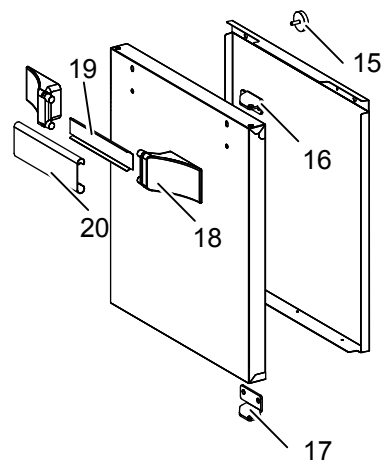
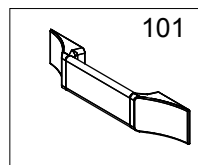
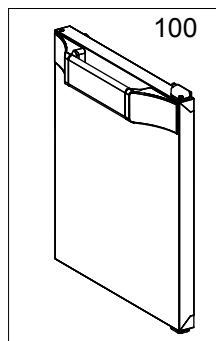
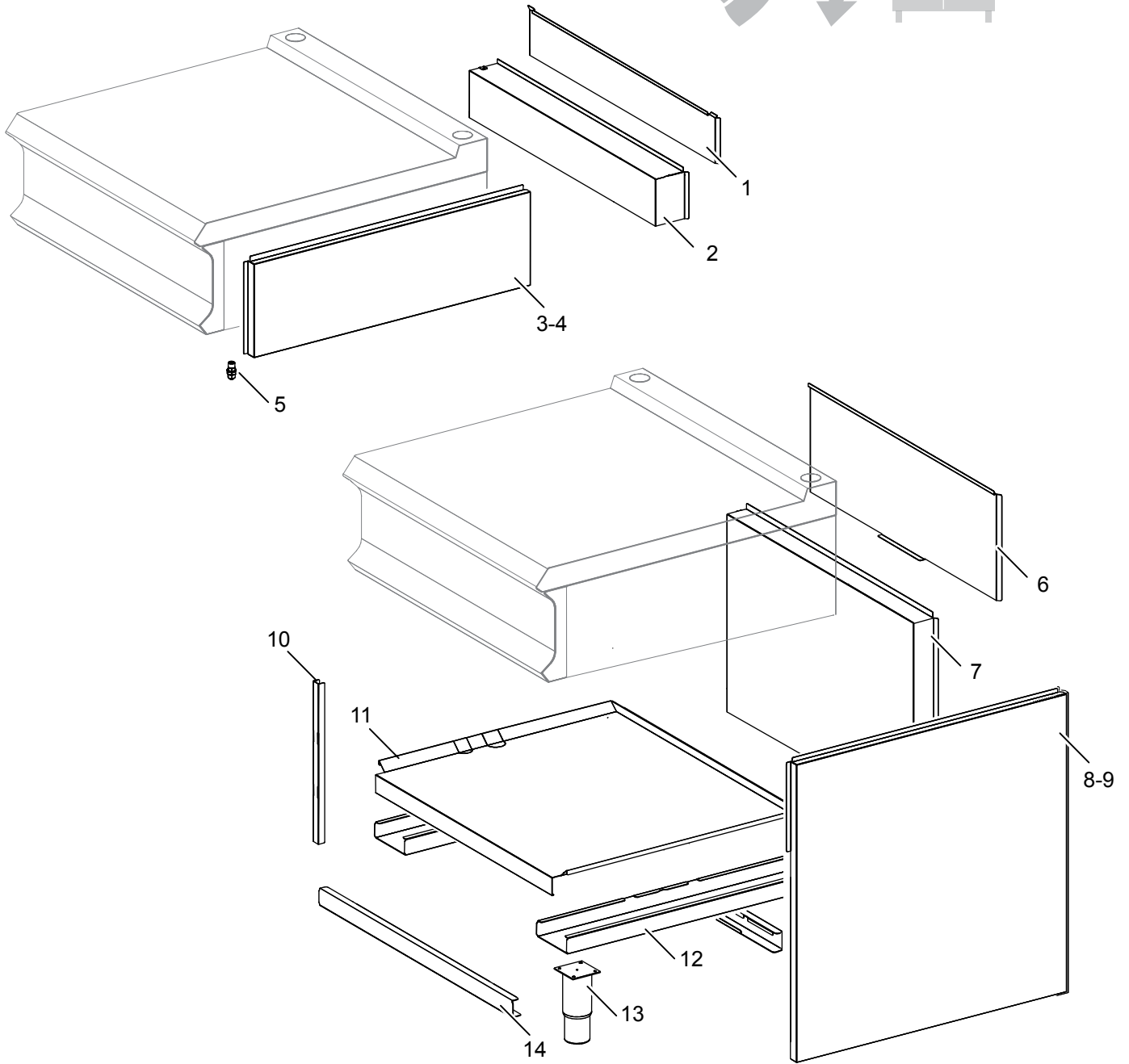
Die im vorliegenden Dokument aufgeführten Informationen und Bilder sind unverbindlich. Der Hersteller behält sich das Recht vor, jederzeit ohne vorherige Ankündigung Änderungen vorzunehmen

Info and drawing could be slightly different from reality and they cannot be considered as compelling. Manufacturer can modify info anytime without forewarning.

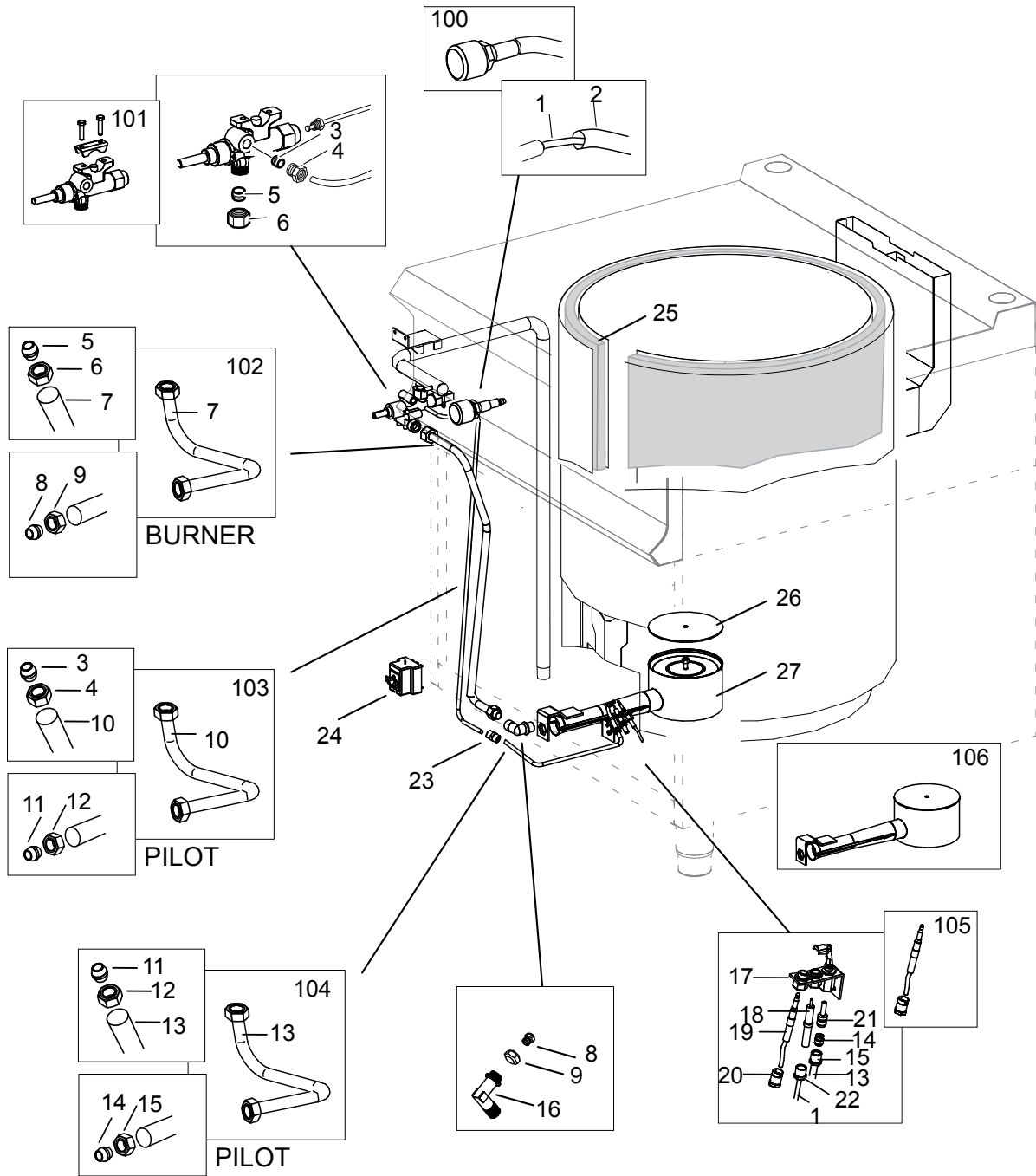
As Informações e desenhoS podem estar um pouco diferente da realidade e são puramente indicativas. O fabricante pode modificar estas informações a qualquer momento sem aviso prévio.



<b>Nr.</b>	<b>Code</b>	<b>Title</b>	<b>Recommended</b>
1.	RTCP900063	MANOMETER CPI D 60	✓
2.	176874	SECURITY VALVE	
3.	202046	CHIMNEY GRILL	
5.	RTCU700476	HINGE SPRING	✓
6.	168612	HINGES TERMINAL RIGHT	
7.	168613	HINGES TERMINAL LEFT	
8.	RTCU700475	COVER	
11.	RTCP800024	WATER EROGATOR	
12.	RTCU900132	NIPPLE 1/2"- 3/8"	
13.	RTCU700479	HANDLE	
14.	RTCU700478	COVER KNOB	
15.	202311	CONTROL PANEL	
16.	RTCP700002	CAP TAP	
17.	170723	DISPLAY	
18.	200838	UPPER EXTERNAL FACADE	
19.	200837	LOWER FRONT PANEL	
22.	202201	BURNER KNOB	
23.	202202	WATER KNOB	
24.	200160	KNOB RING	
25.	200347	COLD WATER RING	
26.	200478	HOT WATER RING	
100.	ECS7041	RECOMMENDED PARTS FOR PEG77	
101.	168614	COMPLETE HINGE	
102.	RTCP800024	WATER EROGATOR	
103.	RTCU600075	WATER FILLING TAP	✓
104.	188982	DISCHARGE TAP	
105.	RTCP800065	LEVEL TAP	



<b>Nr.</b>	<b>Code</b>	<b>Title</b>	<b>Recommended</b>
6.	200042	<i>BACK SIDE TALL</i>	
7.	200041	<i>BACK SIDE INFERIOR</i>	
8.	200031	<i>LATERAL SIDE RIGHT</i>	
9.	200032	<i>LATERAL SIDE LEFT</i>	
10.	200002	<i>HIP REINFORCEMENT</i>	
11.	200840	<i>LOWER FLOOR</i>	
12.	200847	<i>BASE SIDE CROSSBARS</i>	
13.	RTCU700277	<i>FOOT</i>	
14.	200846	<i>FRONT CROSS BASE</i>	



<b>Nr.</b>	<b>Code</b>	<b>Title</b>	<b>Recommended</b>
1.	RTBF800308	IGNITION CABLE CM 150	✓
2.	168890	TRASPARENT SILICON PIPE	
3.	RTCU900018	BICONE D.6 MM.6	✓
4.	RTCU900019	NUT D.6 HEIGHT 10,5 MM.	✓
5.	RTCU900014	BICONE D.12	
6.	RTCU900015	NUT D.12	
7.	200851	FEEDING PIPE FOR BURNER	
8.	RTCU800195	BICONE D.12- INJECTOR SUPPORT	
9.	RTCU800181	NUT D.12	
10.	201349	BURNER PILOT PIPE	
11.	RTCU900018	BICONE D.6 MM.6	✓
12.	RTCU800339	NUT D.6	
13.	201350	BURNER PILOT PIPE	
14.	RTCU800183	BICONE D.6 MM.11	✓
15.	RTCU800182	NUT AC.D.6 BLACK HEIGHT 11 MM.	✓
16.	RTCU700501	INJECTOR SUPPORT	
17.	RTCP800034	3 WAYS PILOT BURNER	✓
18.	RTCP800033	ROUND SPARK PLUG	✓
19.	RTCU900061	THERMOCOUPLE	✓
20.	RTCP800038	T/COUPLE CONNECTION GC47	✓
21.	INIETTORE	SEE HANDBOOK NOZZLES	
22.	RTCU900215	SPARK NUT	✓
23.	201348	NIPLES M10X1 OT - D.10,2	
24.	RTCP800067	SAFETY THERMOSTAT	✓
25.	168255	INSULATING PANEL	
26.	PACU701012	BURNER COVER	
27.	RTCP700004	BURNER	✓
28.	INIETTORE	SEE HANDBOOK NOZZLES	
29.	RTCU900005	LOCK NUT	✓
100.	RIC0004096	PIEZO IGNITION + LIGHTING CABLE	✓
101.	RIC0004988	GAS TAP KIT	
102.	RIC0004989	BURNER TUBE KIT	
103.	RIC0004990	PILOT TAP KIT	

**104.** RIC0004991 *BURNER PILOT TUBE KIT*

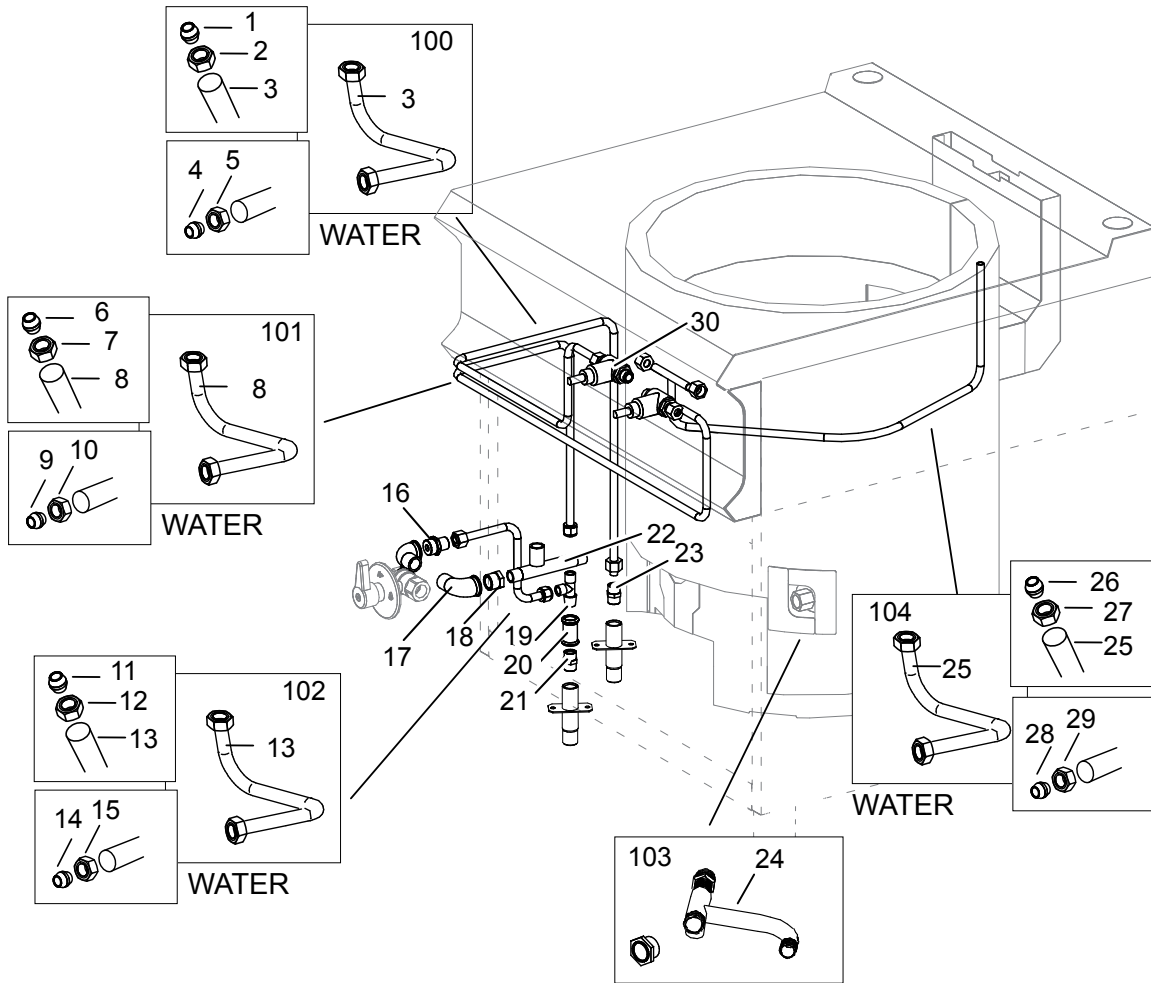
---

**105.** RTCU900061-00 *KIT THERMOCOUPLE + NUT 120 CM*

---

**106.** RIC0004992 *BURNER KIT*

---



<b>Nr.</b>	<b>Code</b>	<b>Title</b>	<b>Recommended</b>
1.	RTCU900012	<i>BICONE D.10</i>	✓
2.	RTCU900013	<i>NUT D.10 HEIGHT H. 14 MM</i>	✓
3.	200853	<i>ALIMENTATION PIPE FOR WATER TAP</i>	
4.	RTCU900012	<i>BICONE D.10</i>	✓
5.	RTCU900013	<i>NUT D.10 HEIGHT H. 14 MM</i>	✓
8.	200852	<i>ALIMENTATION PIPE FOR WATER TAP</i>	
9.	RTCU900012	<i>BICONE D.10</i>	✓
10.	RTCU900013	<i>NUT D.10 HEIGHT H. 14 MM</i>	✓
13.	200834	<i>ALIMENTATION PIPE FOR WATER TAP</i>	
14.	RTCU900012	<i>BICONE D.10</i>	✓
15.	RTCU900013	<i>NUT D.10 HEIGHT H. 14 MM</i>	✓
16.	RTCU900132	<i>NIPPLE 1/2"- 3/8"</i>	
17.	RTCP900034	<i>CRANK</i>	
18.	166432	<i>CONNECTOR 1/2"X3/8"</i>	
19.	RTCU700610	<i>CONNECTOR</i>	
20.	RTCU700629	<i>SLEEVE</i>	
21.	RTCU900103	<i>NIPPLE 3/8"</i>	✓
22.	200855	<i>LEVEL TAP INLET PIPE</i>	
23.	RTCU900103	<i>NIPPLE 3/8"</i>	✓
24.	170306	<i>WATER LEVEL PIPE</i>	
25.	169050	<i>ALIMENTATION PIPE FOR WATER EROGATOR</i>	
26.	RTCU900012	<i>BICONE D.10</i>	✓
27.	RTCU900013	<i>NUT D.10 HEIGHT H. 14 MM</i>	✓
28.	RTCU900012	<i>BICONE D.10</i>	✓
29.	RTCU900013	<i>NUT D.10 HEIGHT H. 14 MM</i>	✓
30.	168006	<i>WATER FILLING TAP</i>	✓
100.	RIC0004983	<i>COLD WATER SUPPLY HOSE KIT</i>	
101.	RIC0004984	<i>HOT WATER SUPPLY HOSE KIT</i>	
102.	RIC0004985	<i>FEED TUBE KIT CAVITY FAUCET</i>	
103.	RIC0004986	<i>LEVEL TUBE KIT</i>	
104.	RIC0004987	<i>FEED TUBE KIT DISPENSER</i>	