

# NW 458



## Modular Ice Machine up to 240 kg

Item #:
Project:
Quantity:



### FEATURES

- Vertical Cube System.
- T304 Stainless Steel Panels.
- Auto-alert Indicator Lights.
- Global standard footprint: strictly follows international imperial standards commonly adopted in the industry of reference.
- One touch cleaning: reduces labor costs and saves time and simplifies cleaning process.
- Front evaporator access: immediate access to the evaporating plate for quick self-maintenance operations.
- Stackable: add flexibility!
- Head only ice maker: requires a separate storage bin to collect the ice produced.



NW 458  
Dice 10 g  
L 22 x P 22 x H 22 mm



NW H 458  
Half Dice 6 g  
L 10 x P 22 x H 28 mm



NW L 458  
Large Dice 15 g  
L 28 x P 22 x H 28 mm

### CONDENSING SYSTEM

Air cooled  
Water cooled

### REFRIGERANT GAS

R404A

### VOLTAGE V/Hz/ph

230/50/1

### RECOMMENDED BINS

Head	Bins		kg
NW 458	✓	<b>SB393</b>	181
	✓	<b>SB530</b>	243
	CBT48EAMCD	<b>SB948</b>	406

### LEGEND:

- ✓ : Perfect combination between ice maker and bin
- : Ice chute cut-out performed upon installation
- CBTxxxxxxx : need additional bin top

Certifications:



### OPERATING REQUIREMENTS

	Minimum	Maximum
Air temperature	10°C	43°C
Water temperature	5°C	38°C
Water pressure	1 bar (14 psi)	5 bar (70 psi)
Electrical voltage	-10%	+10%

**IMPORTANT NOTICE:**  
Models and specifications are subject to change without notice. This spec sheet is meant for commercial purpose only. For technical documentation please refer to our service manuals.

Download our free **App Scotsman Ice**  
Apple store  
Google play  
Windows store



[www.scotsman-ice.it](http://www.scotsman-ice.it)  
[www.scotsman-ice.com](http://www.scotsman-ice.com)

Modular Ice Machine up to 240 kg

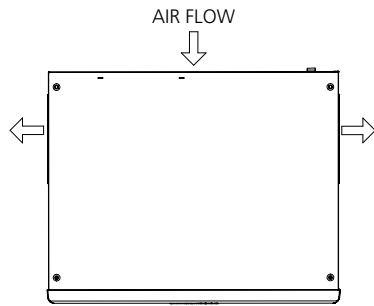
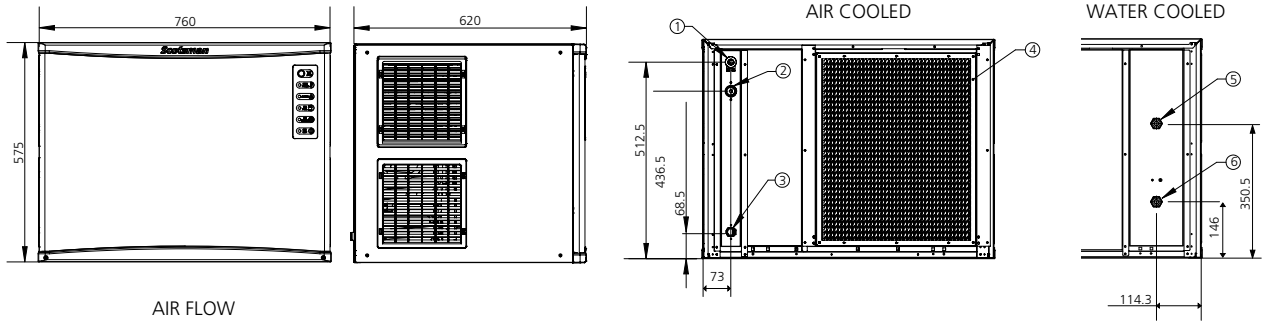
# NW 458



## Modular Ice Machine up to 240 kg

Item #:
Project:
Quantity:

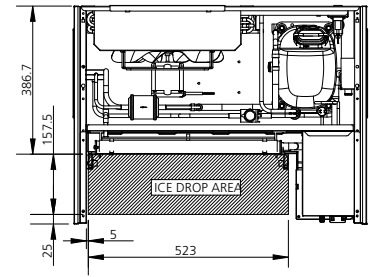
Modular Ice Machine up to 240 kg



UNIT OF MEASUREMENT: mm

UNIT OF MEASUREMENT: mm

- 1. CORD SET
- 2. 3/4" GAS WATER INLET
- 3. 13/16" OD - WATER OUTLET
- 4. AIR INLET / AIR FILTER
- 5. 3/4" GAS-WATER OUTLET
- 6. 3/4" GAS-WATER INLET  
WATER COOLED UNIT ONLY



UNIT DATA			Compressor		Circuit wires		Max. fuse size
	Version	Voltage	Btu/h	W	No.	Ømm <sup>2</sup>	A
Size (W x D x H)	760 x 620 x 575 mm						
Net weight	73 kg						
SHIPPING DATA							
Carton (W x D x H)	830 x 690 x 770 mm						
Weight	87 kg						

Version	Condensation	Voltage	24 h ice production kg °C Amb. / °C Water			Energy consumption*		Water usage*	Instant power
			10°C/10°C	21°C/10°C	32°C/21°C	kWh/100 kg	kWh/24h	l/h	W
NW 458 AS	Air	230/50/1	230	210	165	13.9	22.9	10.6	1000
NW 458 WS	Water	230/50/1							
NW H 458 AS	Air	230/50/1	240	230	175	13.2	23.1	11.4	1000
NW H 458 WS	Water	230/50/1							
NW L 458 AS	Air	230/50/1	230	210	155	14.8	22.9	9.4	1000
NW L 458 WS	Water	230/50/1							

(\*) Data refer to 32°C Amb. / 21°C Water temperature conditions