



HOSHIZAKI

B-301SA/B-501SA/B-801SA STORAGE BINS

Product Description

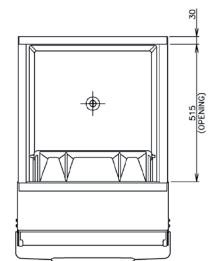
The B-301SA, B-501SA and B-801SA Storage Bins are configured perfectly with Hoshizaki Ice makers to ensure ample quantities of ice at all times.



- Foamed in place insulation, ensures low melt rate ice storage.
- The stainless steel exterior provides long lasting attractive appearance.
- Easy to clean with round edges for optimal hygiene.
- Manufactured with adjustable legs to 90 mm.
- Sturdy construction for side by side/stacked installation and non-corrosive bin liner provide safe and sanitary storage of Cube and Flake Ice.

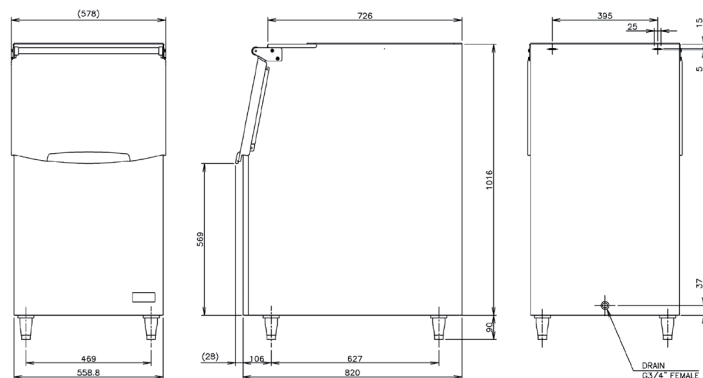
B-301SA

Specification	
Storage Capacity	Up to 144 kg
Exterior	Stainless Steel, Galvanized Steel (Rear), Plastic Door
Interior	Polyurethane Foam
Door Style	Upward Opening
Connection - Drain	Outlet 3/4" (connected at rear side)
Outside Dimensions	558,8 x 820 x 1016 (W x D x H, mm)
Adjustable Leg - Height	90 - 120 mm
Weight Gross/Net	49kg / 37kg



D05339 / 2009.08.24

Accessories
Scoop
Leg (4 pcs)



Two year warranty

For more information visit our website at www.hoshizaki-europe.com
 Hoshizaki Europe B.V. retains the right to change products and their specifications without prior notice.



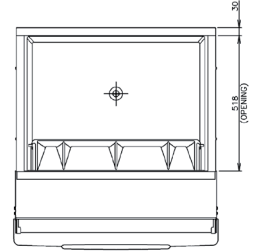


HOSHIZAKI

B-301SA/B-501SA/B-801SA STORAGE BINS

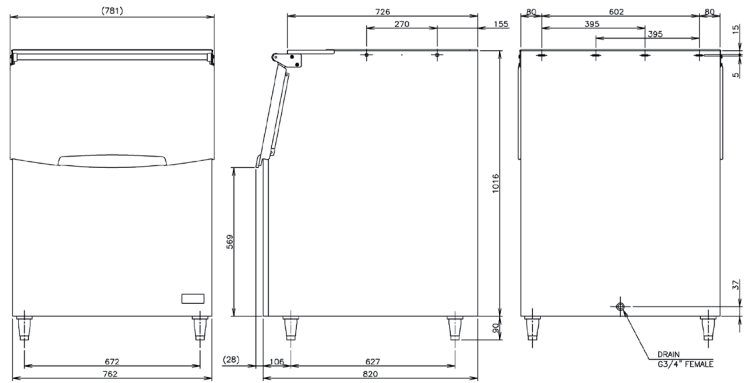
B-501SA

Specification	
Storage Capacity	Up to 217 kg
Exterior	Stainless Steel, Galvanized Steel (Rear), Plastic Door
Interior	Polyurethane Foam
Door Style	Upward Opening
Connection - Drain	Outlet 3/4" (connected at rear side)
Outside Dimensions	762 x 820 x 1016 (W x D x H, mm)
Adjustable Leg - Height	90 - 120 mm
Weight Gross/Net	62kg / 47 kg



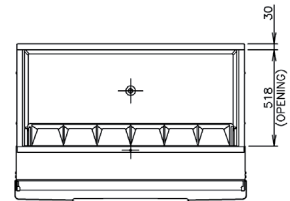
Do5340 / 2009.08.24

Accessories	
Scoop	
Leg (4 pcs)	



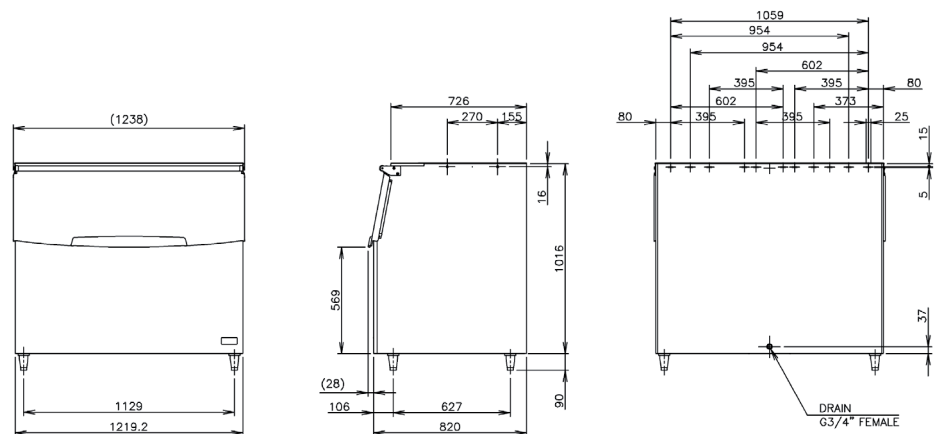
B-801SA

Specification	
Storage Capacity	Up to 348 kg
Exterior	Stainless Steel, Galvanized Steel (Rear), Plastic Door
Interior	Polyurethane Foam
Door Style	Upward Opening
Connection - Drain	Outlet 3/4" (connected at rear side)
Outside Dimensions	1219,2 x 820 x 1016 (W x D x H, mm)
Adjustable Leg - Height	90 - 120 mm
Weight Gross/Net	86kg / 64kg



Do5341 / 2009.08.24

Accessories	
Scoop	
Leg (4 pcs)	



For more information please contact your local sales office:

Hoshizaki Belgium: info@hoshizaki.be
 Hoshizaki Deutschland: info@hoshizaki.de
 Hoshizaki France: info@hoshizaki.fr
 Hoshizaki Iberia: info@hoshizaki.es
 Hoshizaki Middle East: sales@hoshizaki.ae

Hoshizaki Nederland: sales@hoshizaki.nl
 Hoshizaki United Kingdom: uksales@hoshizaki.co.uk
 Other countries: sales@hoshizaki.nl

www.hoshizaki-europe.com