


UBH 2250

Storage bin 1068 kg

Scotsman
Ice Systems

Item #:
Project:
Quantity:



FEATURES:



- Ice mouth easily removable.
- Polyethylene bin interior, is sanitary and easy to clean, and resists scratches and scuffs from ice scoops.
- Polyurethane Insulation, high density.
- Stainless steel bin exterior, and door in rotocast plastic.
- Hinges that hold the mouth ice door in open position.
- Lower water discharge can be rotated 360 degrees.

UNIT DATA	
Size (W x D x H)	1872 x 1468 x 1292 mm
Net weight	272 kg
SHIPPING DATA	
Carton (W x D x H)	2260 x 1570 x 1440 mm
Weight	296 kg

Bin	Compatibility	Ice Machine
UBH 2250	●	MFN 86-88
	●	MF 66- 68-69-86-88
	●	MAR 56-76-106-126-206-306
	●	MAR 78-79-108-109-128-129-208-308

LEGEND:
 ✓ : Perfect combination between ice maker and bin
 ● : Ice chute cut-out performed upon installation
 CBTxxxxxxxx : need additional bin top

CERTIFICATIONS:

IMPORTANT NOTICE:
 Models and specifications are subject to change without notice. This spec sheet is meant for commercial purpose only. For technical documentation please refer to our service manuals.

www.scotsman-ice.it
www.scotsman-ice.com

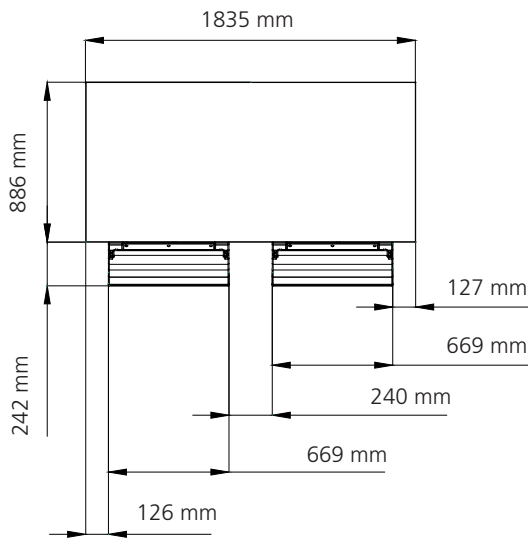
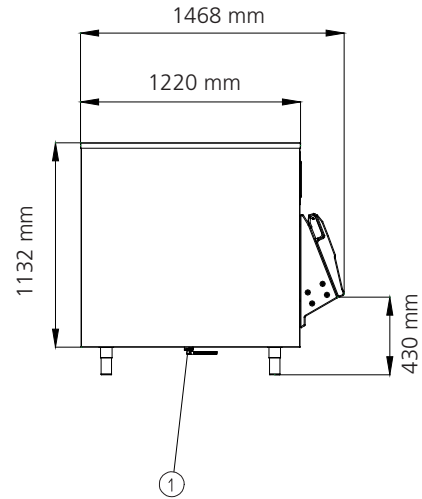
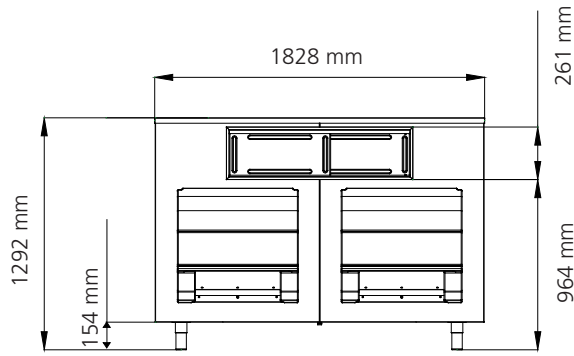
Storage bin 1068 kg

UBH 2250

Storage bin 1068 kg

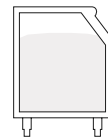
Item #:
Project:
Quantity:

Storage bin 1068 kg



1) Drain Ø 21 mm

Ice capacity (application)*	Ice capacity (AHRI)**	Internal volume
kg	kg	m ³
1068	838	2.178



(*) Application capacity is calculated on 90% of total volume x 545 kg/m³



(**) AHRI capacity is calculated on 80% of total volume x 481 kg/m³