

Instruction Manual  
Machine P/N: 1000857

# HANDS FREE FONT

## Contents

1. Font Box Contents.....	2
2. Counter Cut Out.....	3
3. Installation.....	4
No Drip Tray.....	4
Drip Tray.....	5
Connecting Hoses.....	6
5. Operating Font.....	7
4. Cleaning & Maintenance.....	8

---

### Font Box Contents

Part Number	Description	Qty
1000857	Font Hands Free Marco	1
1900031	Instruction Manual Hands Free Font Marco	1
2301250	Tube FEP 6mm ID x 8mm OD x 500mm	1

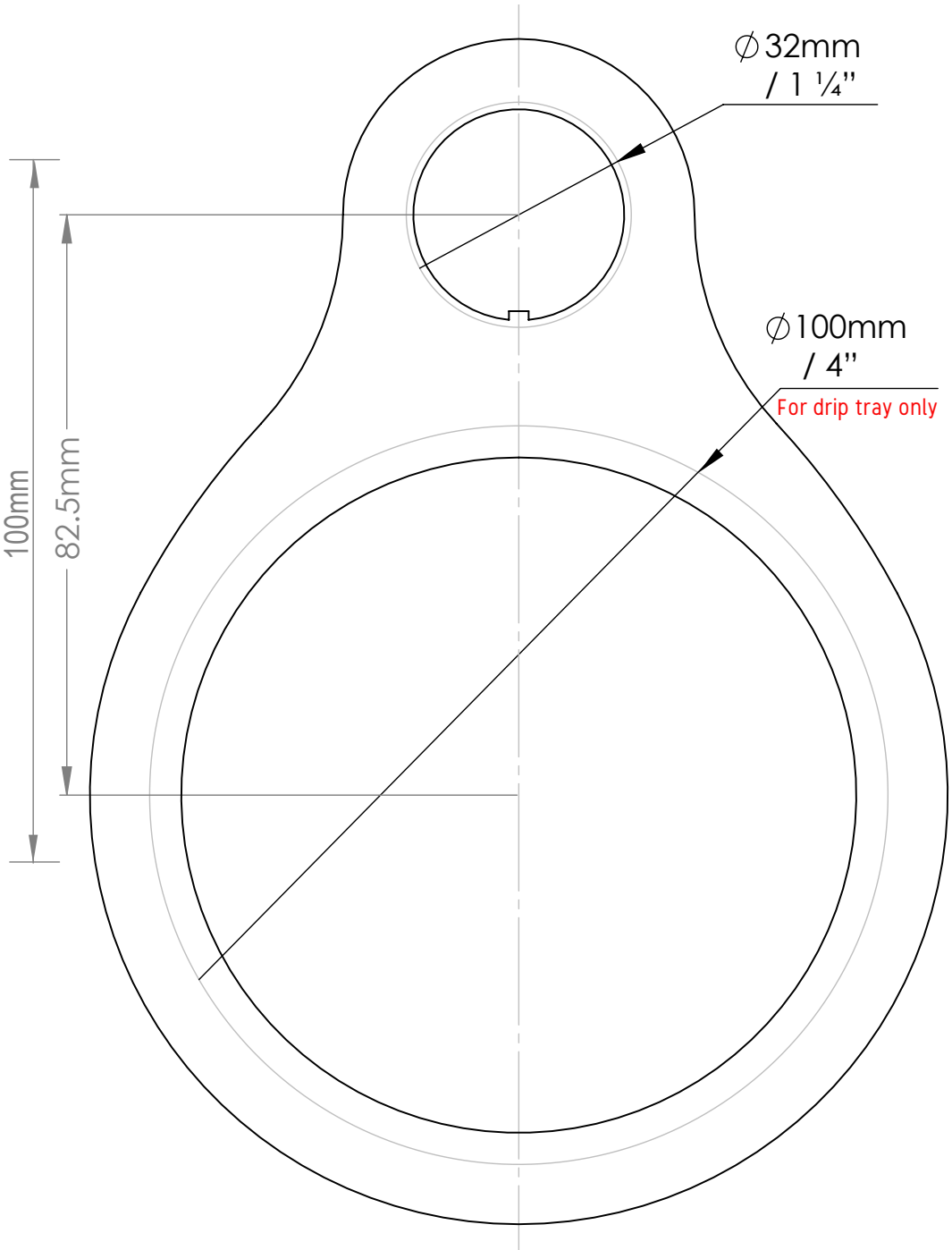
---

### Counter Cut Out

- The 100mm /4” cut out is only required for the font with drip tray.
- The font without drip tray require the 32mm / 1 ¼” cut out only.
- Use a 32mm / 1 ¼” & a 100mm /4” circular hole saw piece to make the holes.

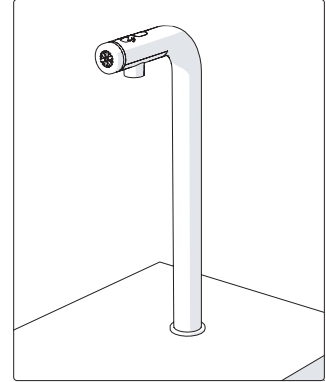
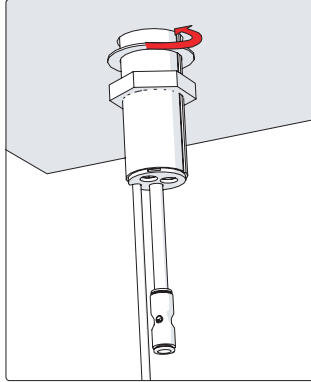
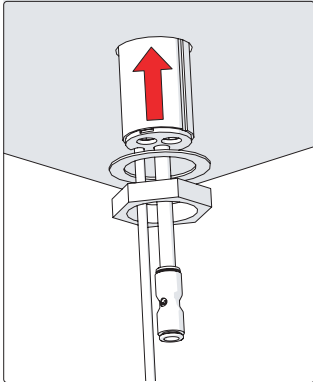
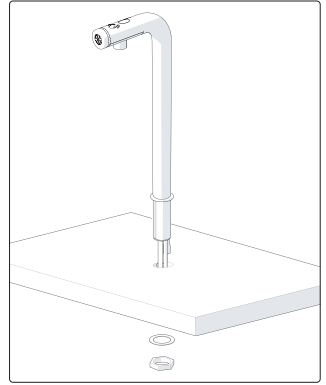
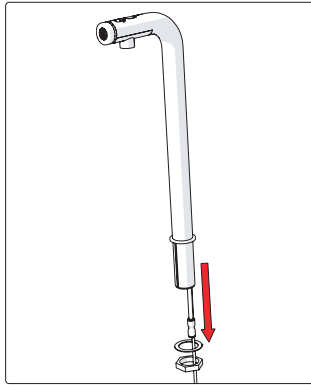
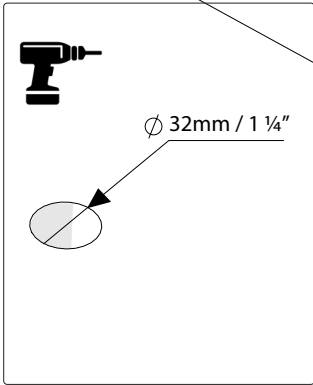
# Counter Cut Out

NOTE: Check scale of template before cutting. Scale should be 1:1



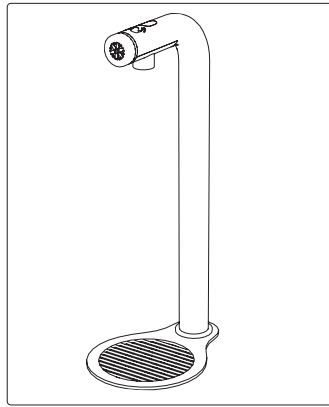
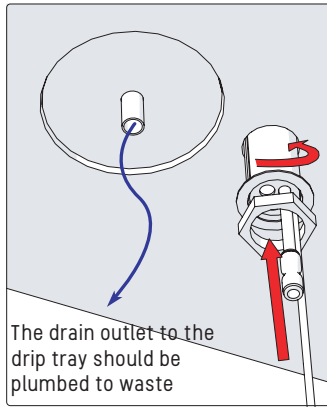
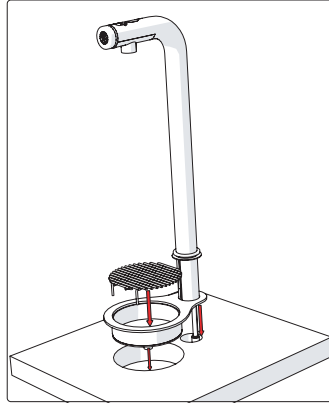
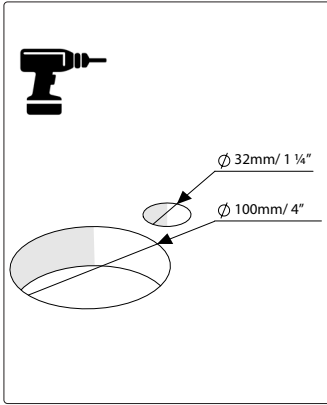
# Installation

## 1. No Drip Tray

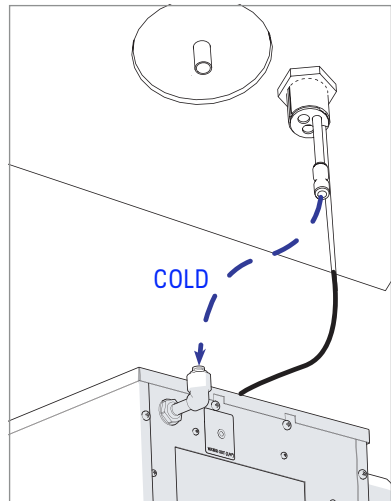
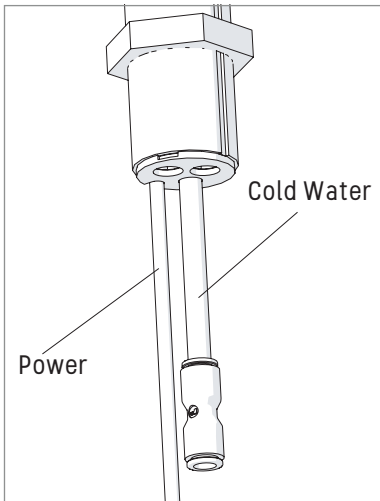
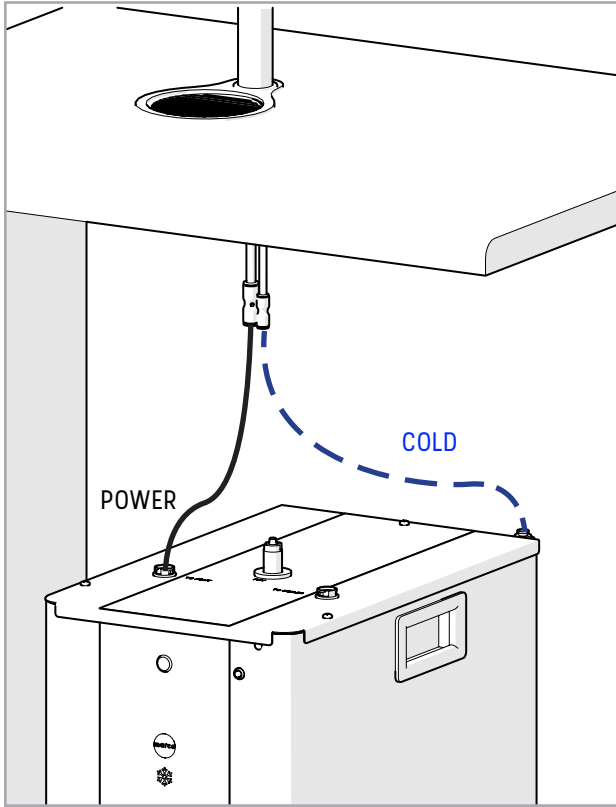


# Installation

## 2. Drip Tray (sold separately p/n. 2300268)



## Connecting Hoses

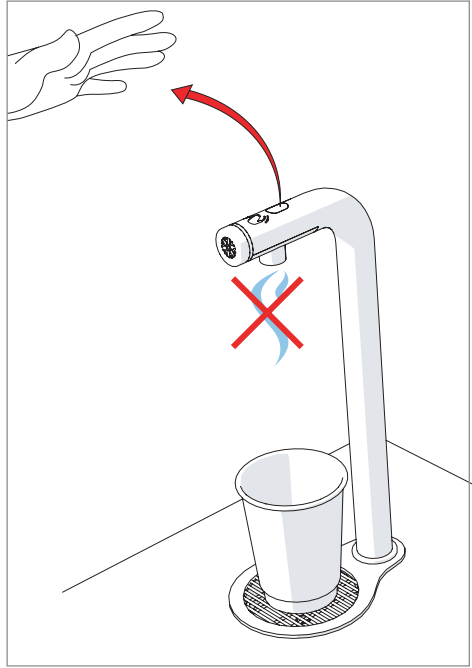


## Operating Font

Hold hand 50 to 100mm over sensor to activate font

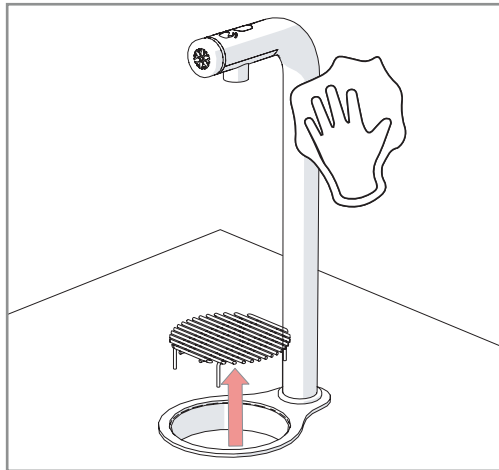


Remove hand to stop flow of water



## Cleaning & Maintenance

- Beware of accidentally operating the font – especially when cleaning it.
- Power down the chiller before cleaning.
- The exterior of the font may be cleaned with a damp cloth and a light detergent.
- Do not use abrasive cloths or creams as this will spoil the finish of the font.



Marco Beverage Systems Limited.  
63d Heather Road,  
Sandyford Industrial Estate,  
Dublin 18  
t: +353 (0)1 295 2674  
f: +353 (0)1 295 3715  
e: sales@marco.ie  
www.marcoveragesystems.com

